



## ABOUT US

Established in 1990, Foley Industries was solely focussed on the manufacturing of flue kits for wood and gas appliances in the Home Heating Industry. Over the years, we have grown from strength to strength, allowing us to diversify the services we can offer to our clients.

Today, clients come to us to fabricate flues for boilers, multi-fuel appliances, rangehoods, air-conditioning ducting, air handling units, roofing products, leak tested hydraulic tanks and general sheetmetal fabrication. We have the capacity to fabricate one-off custom design projects as well as long term production runs.

If you need accuracy, efficiency, quality products and a quick turnaround, our wide range of machinery, which includes CNC machines and CAD programmes, will give you just that.

Amongst our inventory of machinery, we have a three-metre guillotine, various Press Brake machinery, including our latest unit allowing 3.7 metres of bending across 175 tonnes, 2kw solid state fibre laser and 6kw fibre laser that can cut or etch flat sheets of aluminium, mild and stainless steel. Mig, Tig and Laser welding. This combination of tools have allowed our team to tackle a wide range of projects effectively and efficiently for our clients.

By reinvesting in technology and continuously developing our products, Foley Industries aims to be amongst the leaders of our industry.

Our 'Energy Saver Flue System' saves up to 40% of energy by preventing heated room air from escaping into the ceiling cavity. This also helps to reduce wind and traffic noise and can help prevent air fuelling the flames in an event of a house fire. Our Flue Systems for wood fires are tested to appendix F of AS/NZS2918:2001.

The joint New Zealand/Australian standard AS/NZS2918:2001 was prepared by the Australian and New Zealand standards committee CS-062. It supersedes Australian and New Zealand standards AS918:2001, and NZS 7421-1990. The objective of the new standard AS/NZS2918:2001 is to provide the manufactures, installers and consumers with means for determining the requirements for the CORRECT AND SAFE installation of domestic solid fuel burning heating appliances and their associated floor protectors and flue systems.

Our goal is to provide you with quality customer service, fast turnaround times and competitive prices without sacrificing the quality of workmanship.

This has been the reason that our customers include many leading manufacturers, retailers and installers in wood and gas fires as well as the Sheetmetal Industry. We are able to supply clients throughout New Zealand, from Northland all the way to Invercargill.

Talk to us about your project or come visit us at our spacious factory in East Tamaki, Auckland.

## Try our new Webshop

- Visit our website [www.foleyind.co.nz](http://www.foleyind.co.nz)
- Log in at the top right.



- To set up an account please email [info@foleyind.co.nz](mailto:info@foleyind.co.nz)
- For help with the Webshop. See the help page:  
[https://www.foleyind.co.nz/files/webshop\\_instructions\\_v.3.pdf](https://www.foleyind.co.nz/files/webshop_instructions_v.3.pdf)



# FOLEY INDUSTRIES FREIGHT CLAIMS AND RETURNS POLICY

## Freight claims and Short Supply

Please check goods thoroughly when they are received before the driver leaves. If damage is noted, it is important to sign for the goods as damaged and notify us immediately in writing by email. Notification must include the packing slip number, consignment note number and details of damage or short supply.

When goods are received the number of items delivered is stated on the consignment note and also on the scanner which is to be signed. Please ensure that you have received the correct number of items before signing for them. The consignment note can be found attached to the outside of one of the items. If short supply has occurred, then it is important to sign as short supply.

If goods have been signed as received in good condition, and damage or short supply is found in the future it may not be possible for us to lodge a claim with the freight provider.

Please state what your business opening hours are when placing your order, days you may be closed or if you need to be called to arrange delivery. Any re-delivery or storage costs will be at the customers expense.

## Returns Policy

Goods that are custom made are not returnable.

For goods incorrectly ordered freight costs will not be refunded, the goods must be returned in original condition.

A 15% re-stocking fee may apply

## Stainless Steel

There are two main grades of stainless steel 304 and 316. 304 is a more common, general purpose due to its price and corrosion resistance. 316 grade offers a higher level of corrosion resistance than 304 and is commonly referred to as marine grade stainless. Both grades can still be subject to tea staining. Products are available to remove tea staining from the surface of the stainless steel.

We recommend the use of 316 Stainless steel in coastal areas, some local authorities may specify the use of 316 grade if the property is within 3 or 5km of the coast.

Regular cleaning of the stainless steel is necessary to keep the self-repairing mechanism working. Accumulation of dirt will lead to concentrations of corrosive substances that eventually break down the protective layer.

In clean inland environments 304 stainless should be cleaned every 3-6 months. 316 stainless steel should be cleaned every 6-12 months.

When in coastal atmosphere, 316 stainless steel should be cleaned every 3-6 months.

NB: Standard Stainless steel is 304 grade unless otherwise stated or requested.

## Installer Responsibilities

It is the responsibility of the installer to ensure compliance with the building code, notably section E2. It is also the responsibility of the installer to be aware of and comply with any local authority regulations and standards. The local regulations and standards change from region to region.



# STAINLESS STEEL CARE INSTRUCTIONS

Stainless steel comes in different steel grades that contain at least 11% chromium. Chromium is inherently resistant to rust and is corrosion resistant. The chromium reacts with oxygen where the steel surface is exposed and forms chromium oxide protecting the steel against corrosion.

With time, stainless steel may become stained by rust, dirt, oil, grease, paint etc. humidity and higher temperatures increase the risk of corrosion.

## Prevention During Installation

To prevent corrosion, it is important to specify the correct grade of steel, select the correct design, use fasteners made of stainless steel and use clean tools free from residues of plain carbon steel. Steel wool, steel and hydrochloric acid should not be used to remove residues such as cement or mortar. Instead use water to wash off residues before they set.

## Preventative Washing

Regular cleaning is recommended to maintain the original sheen. Discolouration and corrosion may occur if dirt or residues are left too long. Rust discolouration can also occur if stainless steel is exposed to an environment in which a particular grade is not intended, the surface is rough providing a foothold, the surface was contaminated by tools used during installation, the fasteners are ordinary steel, or it is in contact with plain carbon steel in wet or humid conditions.

Depending on the environment cleaning time frames may differ (see below)

Environment	Washing Intervals	
	Stainless Steel 304	Stainless Steel 316
Clean inland environment	3-6 months	6-12 months
Polluted urban environment or industrial atmosphere	Not suitable	6-12 months
Coastal atmosphere	Not suitable	3-6 months

## Removing Discolourations

Stain Type	Cleaning Agent and Method
Fingerprints	Wash with soap, detergents or hydrocarbon solvents (alcohol, thinner, and acetone). Rinse with cold water. Wipe dry
Oil and grease	Wash with organic solvents (alcohol, thinner, acetone), then wash with soap or mild detergent and water. Rinse with cold water and wipe dry.
Stubborn stains/discolouration	Wash with a mild abrasive detergent. Rub in direction of visible surface. Rinse with cold water and wipe dry
Rust stains	Wet surface with oxalic acid solution. Leave 15-20 minutes. Rinse with cold water and wipe dry. Repeat if needed.



# STOVE BRIGHT PAINT RETAILER AND INSTALLER CARE GUIDE

Stove Bright paint is internal, high temperature paint rated to 650 degrees Celsius working temperature.

## **When handling product painted with Stove Bright paint.**

- Please leave the protective wrapping on the painted items while installing, the protective wrapping should only be removed after installation is complete.
- Use clean gloves to touch or handle painted surfaces when handling before the curing process has taken place.
- The installer must take great care to avoid contaminating or touching the painted surfaces. Fire cement, silicone etc can cause paint failure.
- Avoid applying cleaning products of any description to Stovebright painted surfaces. Lightly wipe with a dry clean cloth.

**If touch up is required** follow Stove Brights user guidelines for instruction on surface preparation, applying the paint and curing the paint. This document should be read in conjunction with the appliance instructions for the initial fire curing process.

- Only apply a light dusting of paint for touch ups. If the paint is too thick it may fail.
- The Stove Bright curing process must be followed for the initial firing or for the initial firing following any paint touch up.

A copy of the Stove Brights User Guidelines can be found on our website in the resources section or by using the following link. <https://www.foleyind.co.nz/helpful-info>

Stove Bright video guides <https://www.youtube.com/user/MrStoveBright>

**THE PAINT CURING PROCESS MUST BE STRICTLY FOLLOWED TO CURE THE PAINT AND HELP PREVENT THERMAL SHOCK PAINT FAILURE.**

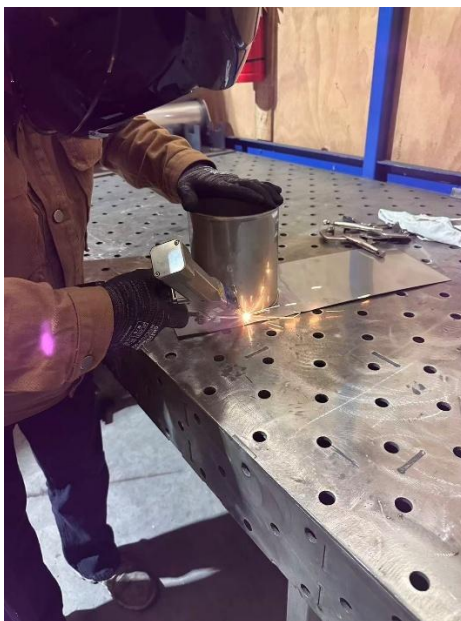
*12 month warranty on workmanship.*

## WELDING AND FABRICATION

Foley Industries specialises in Mig, Tig & Laser Welding, providing high-quality welding services for Mild Steel, Aluminium and Stainless Steel fabrication.

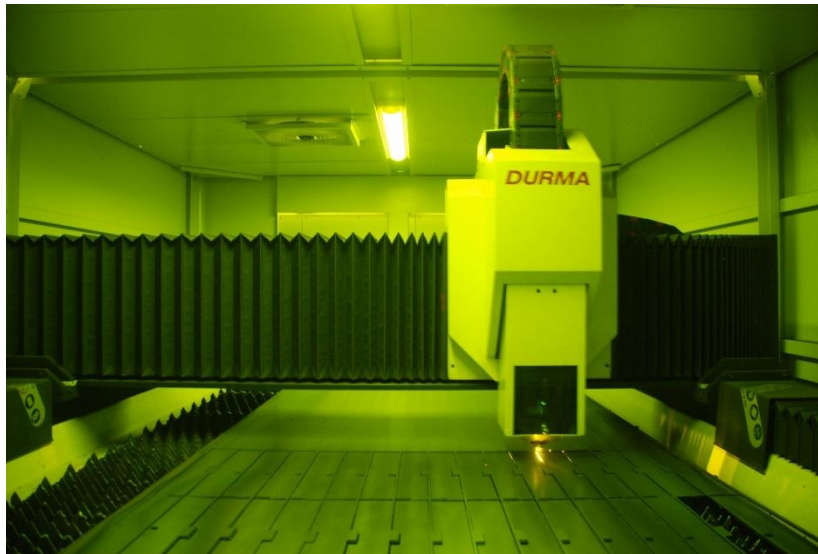
Our team of expert welders have decades of experience and skill, ensuring that your welding project will be completed to the highest standards of quality and precision. Taking on jobs both one-off custom fabrication or a large-scale runs.

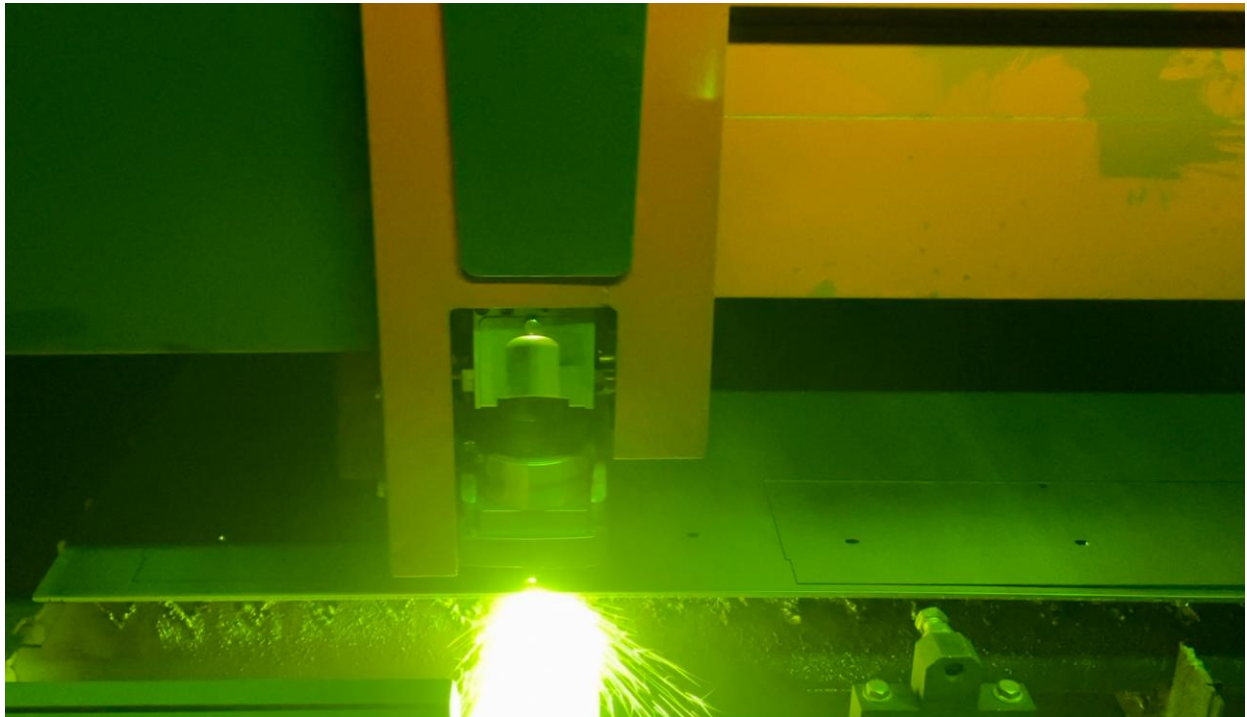
We understand that every project is unique, and we take pride in working closely with our clients to deliver custom solutions that meet their exact needs. From initial design and prototyping to final assembly, we are committed to providing our clients with outstanding service and exceptional results.



## LASER CUTTING

Introducing our two fibre laser cutting machines, equipped with IPG power sources of 2kw and 6kw. With twin 1.5m x 3m cutting tables, our machines are specifically designed to provide accuracy in cutting Stainless Steel, Aluminium, and Mild Steel up to 20mm thick. Our state-of-the-art technology ensures that you achieve precise and efficient cuts, with minimal material wastage. Take your metal cutting operations to the next level with our powerful fibre laser cutting machines. Trust us to deliver the highest quality results, every time.





## PRESS BRAKE FOLDING

Our three Durma Press Brakes are equipped with CNC controllers capable of handling a wide range of materials, including stainless steel, aluminium, and mild steel. With our best yet 3.7m long, 175 tonne press-brake, our 3 meter long 100 tonne press brake and 2 meter long 60 tonne press brake, along with our variety of tooling options, allow us to fold your sheet metal to precise specifications, ensuring a perfect fit every time.

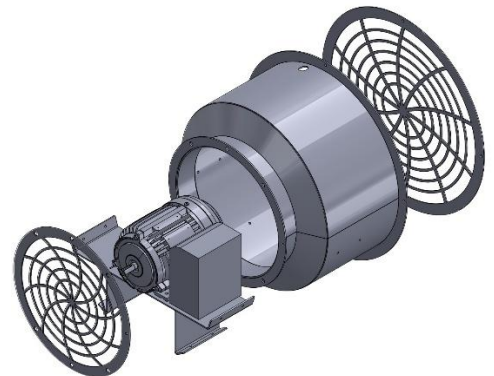
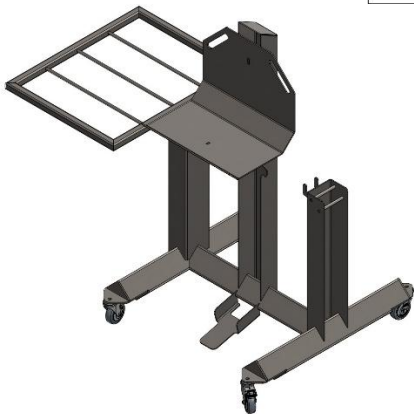
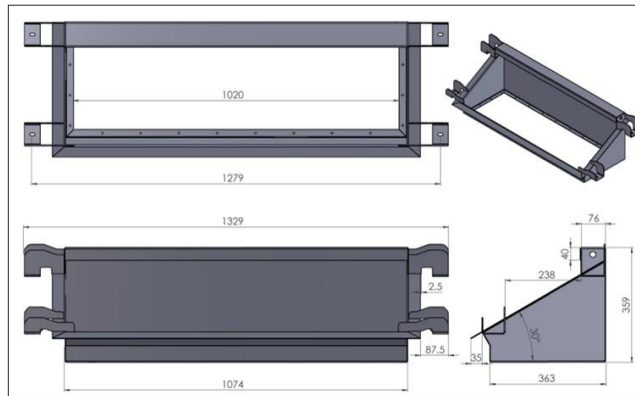
But it's not just our equipment that sets us apart. Our team of highly skilled operators have years of experience and a keen eye for detail, ensuring that every fold is executed with precision and accuracy. We understand that every project is unique, and we work closely with our clients to ensure that their specific requirements are met and exceeded.

We are committed to delivering exceptional service and high-quality results. Whether you need a single prototype or a larger run, we have the expertise and equipment to handle any job, big or small.



## CAD DESIGN

Experience the pinnacle of design precision with our cutting-edge computer-aided design (CAD) services. Leveraging advanced 2D and 3D software, our skilled team meticulously crafts intricate and accurate models tailored to your exact specifications. Whether conceptualising sketches or bringing ideas to life, trust our CAD experts to deliver exceptional designs that transcend expectations.





# CONTENTS

ABOUT US.....	1
Try our new Webshop.....	1
FOLEY INDUSTRIES FREIGHT CLAIMS AND RETURNS POLICY.....	2
Freight claims and Short Supply.....	2
Returns Policy .....	2
Stainless Steel .....	2
Installer Responsibilities .....	2
STAINLESS STEEL CARE INSTRUCTIONS.....	3
Prevention During Installation .....	3
Preventative Washing.....	3
Removing Discolourations .....	3
STOVE BRIGHT PAINT RETAILER AND INSTALLER CARE GUIDE.....	4
WELDING AND FABRICATION.....	5
LASER CUTTING.....	6
PRESS BRAKE FOLDING .....	8
CAD DESIGN .....	9
CONTENTS.....	10
INSERT FLUE SYSTEM .....	16
CEILING FLUE SYSTEMS.....	17
Ceiling Flue System 150mm dia 1200 .....	17
Ceiling Flue System 150mm dia 1800 .....	17
Ceiling Flue System 150mm dia 4.2m .....	17
FREE STANDING FLUE SYSTEM.....	18
Stainless Steel Flue System 3.6m .....	18
Stainless Steel Flue System 100/150/200 3.6m.....	18
Free Standing Flue System 3.6m Stainless Steel Painted Hi-Therm (150mm dia).....	19
Stainless Steel Flue System 4.2m .....	20
Free Standing Flue System 4.2m Stainless Steel Painted Hi-Therm (150mm dia).....	21
Free Standing Flue System 4.2m Stainless Steel Painted Hi-Therm (150mm dia) with Shield .....	22
Hi-Therm Coastal Flue Kit 4.2m (S/S 250 Outer).....	23
TWO STOREY KIT .....	24
150dia 2 Storey Kit – Metallic Black Kit Code: FK2S150MB.....	24



150dia 2 Storey Kit – Satin Black Kit Code: FK2S150SB.....	24
ENERGY SAVER FLUE SYSTEM .....	25
Flat Energy Saver Flue System 3.6m .....	25
Flat Ceiling Energy Saver Flue System 4.2m .....	26
Energy Saver Sloping Ceiling Flue Kit .....	27
EXTENSION KITS .....	28
Galv 1200 .....	28
Extension Kit 1200-B .....	28
Extension Kit 1200-C .....	28
Stainless 1200 .....	28
FLUE PIPES.....	29
Stainless Steel Flue Pipe 0.55mm .....	29
Stainless Steel Flue Pipe 0.7mm .....	29
Painted Stainless Steel Flue Pipes .....	29
Galvanised Casing 0.55mm .....	30
Galvanised Casing 0.7mm .....	30
Slip Joint (252mm dia).....	30
1.5 & 2 Metre Flue Pipes.....	31
Colour Steel Casing 0.55 .....	31
FLUE PIPE MOUNTED SHIELDS.....	32
180deg Stainless Steel (1200mm).....	32
FLUE PIPE GUARDS.....	32
360deg Mesh Screen Black - Powdercoated.....	32
Stainless Steel Back – Galv Mesh Front .....	32
Solid Back – Mesh Front – Black Powdercoated .....	32
DOUBLE FLUE SHIELD KITS .....	32
SPACER BRACKETS.....	32
Flue Spacers (saddles) .....	32
FLUE SYSTEM COMPONENTS .....	33
Rainhat (anti-downdraught cowl).....	33
Stainless Steel H-Tops .....	33
Stainless Steel Directional Cowl .....	33
Chinaman’s Hats .....	34
Chinaman’s Hats with Inverted Cones .....	34
Butterfly Cowl .....	34



Rocket Cowl.....	34
Combination Rainhat & Cowl.....	34
Stainless Steel Flashing Cone .....	35
Top Spacer Brackets Stainless Steel – Spider .....	35
Bird Protection Options .....	36
<b>CEILING PLATES.....</b>	<b>37</b>
Flat Ceiling – 400x400 .....	37
Flat Ceiling – 460x460 .....	37
Flat Ceiling – 500x500 .....	37
Flat Ceiling Colour – 400x400 .....	37
Angled Ceiling Plates.....	37
Magnetic Flat Ceiling Plates – Black Colour Steel .....	38
Magnetic Angled Ceiling Plates – Black Colour Steel .....	38
Energy Saver Sloping Ceiling Plates .....	38
Folded Legs Ceiling Plate.....	38
Round Ceiling Plate .....	38
Split Ceiling Plate.....	38
Energy Saver Ceiling Plate.....	39
Chimney Plate .....	39
<b>FLOOR PENETRATION.....</b>	<b>39</b>
Floor Penetration Unit .....	39
Floor Penetration Extensions.....	39
<b>FIXED BENDS .....</b>	<b>40</b>
45deg Fixed Bends .....	40
Two Fixed Bends Joined Together .....	40
90deg Fixed Bends .....	41
Combination Fixed Bends 45deg - Triple Skinned .....	41
Two Triple Skinned Fixed Bends Joined Together.....	41
<b>ADJUSTABLE BEND – TO 90DEG.....</b>	<b>42</b>
<b>OFFSETS.....</b>	<b>43</b>
Fixed Offsets - 150mm Stainless Steel .....	43
Telescopic Offset – 45deg .....	43
Triple Skinned Fixed Offsets.....	44
Fixed Offsets Double Skinned 45 deg – up to 400 CtoC.....	44
<b>GAS – STAINLESS STEEL.....</b>	<b>45</b>



Standard Gas Cowls .....	45
ADD Gas Cowls .....	45
Spigot Plate .....	45
Stainless Steel – Internal Spacers.....	46
Gas Clamp Sleeves (Split Collar).....	46
Stainless Steel Flexi-Flue & Adaptors.....	46
‘T’ PIECE.....	47
90deg Stainless Steel ‘T’ Piece .....	47
Combination ‘T’ Pieces.....	47
REDUCERS/ADAPTORS .....	47
OUTER CASING GALVANISED CONVERTERS.....	47
MISCELLANEOUS.....	48
Square/Rectangle To Round .....	48
Saddle.....	48
Drop Box Cover .....	48
Insert Spacers – Not Painted.....	49
Fascia/Surround Spacers – Not Painted.....	49
Galvanised Ash Pans .....	49
Mantel Shelf Heat Shield.....	50
Spigot Shim .....	50
Blanking Caps .....	50
Loose Fill Box.....	50
Back Flashing.....	50
BRACING.....	51
Aluminum Tube Bracing.....	51
Roof Bracing Supports.....	51
Galv Wall Brackets .....	51
Stainless Steel Telescopic Bracing Pole.....	51
Galv Support Angle .....	51
MISCELLANEOUS.....	52
Stainless Steel Fasteners.....	52
Double Ended Stub Drill Bits .....	52
Silicon Sealant .....	52
Paint Cans – Touch Up .....	52
Fire Cement.....	52



Glass Cleaner.....	53
Magnets & Ceramic Spacers and Screws .....	53
Reflector Shield Bracket.....	53
DEKTITE .....	54
Roof Flashings – Dektite Flexible Flashing .....	54
Roof Flashings – Lead, Aluminum & Alternative Tile Flashings .....	54
Roof Flashings – Dektite Soaker.....	54
Other Dektite Products .....	54
FLOOR PROTECTORS .....	55
Custom Floor Protector.....	55
Corner .....	55
Wall .....	55
FLASHING AND LOUVRES.....	56
Chimney Flashing .....	56
Louvre .....	56
Louvre and Flashing .....	56
DUCTING .....	57
ROOM SEALED & INSULATED FLUE KITS .....	58
The Room Sealed Flue has a great range of benefits: .....	58
Standard Insulated Ceiling 4m Flue Kit .....	59
Fully Sealed Insulated Ceiling 4m Flue Kit.....	59
6” INSULATED FLUE PARTS .....	60
Painted & Unpainted Insulated Flue Pipe .....	60
Starter Insulated Flue Pipe.....	60
Adaptor .....	60
45deg Fixed Bend Painted & Unpainted .....	61
Adjustable Length Painted & Unpainted .....	61
Unpainted Rain Hat.....	61
Ceiling Ring.....	62
Other Insulated Flue Parts .....	62
MILAN HEATING SPARE PARTS .....	65
Fire Bricks .....	65
Door Rope & Glass Tape .....	66
Secondary Air Tubes .....	66
Baffle Plates .....	67



Glass Retainers.....	68
Door Handles & Spindles .....	69
How to Measure a Glass Retainer.....	69
How to Measure a Baffle Plate .....	69
<b>INSTRUCTIONS .....</b>	<b>70</b>
Insert Flue System Installation Instructions.....	70
Freestanding Flue System Installation for Flat and Sloping Ceilings      v8.25.2 .....	72
Energy Saver Sloping Ceiling Flue System 4.2m.....	74
Reference Diagram .....	75
Single Flue Pipe Mounted Shields Assembly & Installation Instructions .....	76
Double Flue Shield Assembly Instructions .....	77
<b>ORDERING TEMPLATES .....</b>	<b>78</b>
Reducer/Converter Template .....	78
Chimney Flashing Template .....	79
Louvre & Flashing Template .....	80
Rectangle to Round Template.....	81
Insert Spacer Template .....	82
Rainhead Template .....	83
Custom Glass Retainer Template.....	84
<b>CONVERSION TABLES .....</b>	<b>85</b>
Guage to Imperial to Metric.....	85
Pressure .....	85
Area of plane shapes.....	85
Circumference of a circle .....	85
Ceiling Plate Angle & Actual Hole Length .....	87
Trigonometry .....	88

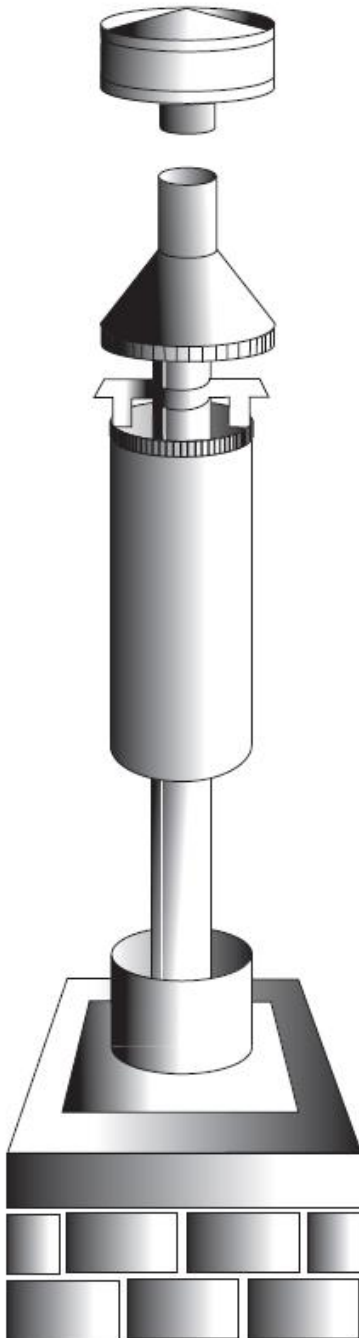
# INSERT FLUE SYSTEM

TESTED TO AS/NZS2918:2001

For Masonry Chimneys

**COMPRISING:**

- 3 Stainless Steel Flue Pipes 150x1200mm dia
- 1 Stainless Steel Flue Pipe 150x600mm dia
- 1 Galvanised Chimney Liner
- 1 Stainless Steel Rainhat (Anti-Downdraught Cowl)
- 1 Galvanised Chimney Plate
- 1 Stainless Steel Flashing Cone & 1 Stainless Steel Spreader
- Or, 1x Combi Flashing cone with spacer



CODE	DESCRIPTION	PRICE
FKISS150	Insert Flue System 150mm dia	\$
FKISS150CF	Insert Flue System 150mm dia with Combi-flashing with spacer	\$

*Instructions available on our website: [www.foleyind.co.nz](http://www.foleyind.co.nz)*

## CEILING FLUE SYSTEMS

### Ceiling Flue System 150mm dia 1200

These Kits are equivalent to a complete free-standing flue system without the first two lengths of flue pipes.

**COMPRISING:**

- 1 Stainless Steel Flue 150x1200mm
- 1 Galv Liner 200x1200mm with Brackets
- 1 Galv Liner 250x1200mm with Internal Swage
- 1 Stainless Steel Rainhat (Anti-Downdraught Cowl)
- 1 Stainless Steel Flashing Cone
- 1 Ceiling Plate
- 1 Stainless Steel Spreader
- 1 Packet of Screw and Ceramic Spacers

### Ceiling Flue System 150mm dia 1800

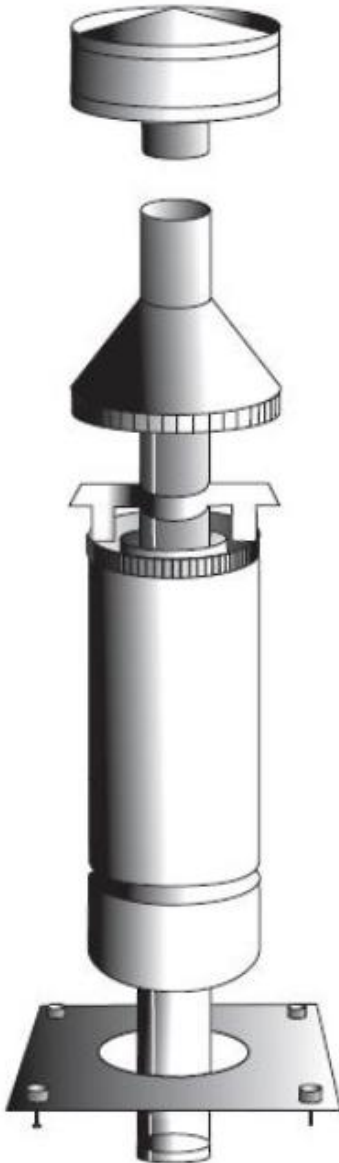
**COMPRISING:**

- 1 Stainless Steel Flue 150x1200mm
- 1 Galv Liner 200x1200mm with Brackets
- 1 Galv Liner 250x1200mm with Internal Swage
- 1 Stainless Steel Rainhat (Anti-Downdraught Cowl)
- 1 Stainless Steel Flashing Cone
- 1 Ceiling Plate
- 1 Stainless Steel Spreader
- 1 Packet of Screw and Ceramic Spacers
- 1 Galvanised Slip Joint 600mm

### Ceiling Flue System 150mm dia 4.2m

**COMPRISING:**

- 1 Stainless Steel Flue 150x1200mm
- 1 Galv Liner 200x1200mm with Brackets
- 1 Galv Liner 250x1200mm with Internal Swage
- 1 Stainless Steel Rainhat (Anti-Downdraught Cowl)
- 1 Stainless Steel Flashing Cone
- 1 Ceiling Plate
- 1 Stainless Steel Spreader
- 1 Packet of Screw and Ceramic Spacers
- 1 Galvanised Slip Joint 1200mm



CODE	DESCRIPTION	PRICE
CK15012	Ceiling Flue System 1200	\$
CK15018	Ceiling Flue System 1800	\$
CK15042	Ceiling Flue System 4.2m	\$

**Flue shield optional extra – see page 32**

## FREE STANDING FLUE SYSTEM

TESTED TO APPENDIX F OF AS/NZS2918:2001

MEANING THAT IF CAN BE INSTALLED ON ANY APPLIANCE WHICH HAS BEEN TESTED TO THE OLD OR NEW STANDARD

### Stainless Steel Flue System 3.6m

**COMPRISING:**

- 3 Stainless Steel Flue Pipes 1200mm
- 1 Galvanised Inner/Outer Casing 200/250mm
- 1 Stainless Steel Rainhat (Anti-Downdraught Cowl)
- 1 Stainless Steel Flashing Cone
- 1 Ceiling Plate
- 1 Stainless Steel Spreader
- 1 Packet of Screw and Ceramic Spacers

CODE	DESCRIPTION	PRICE
FKF10036	100mm dia	\$
FKF11536	115mm dia	\$
FKF15036	150mm dia	\$
FGLSJ600	Galvanised Slip Joint 600mm	\$

Flue shield optional extra – see page 32

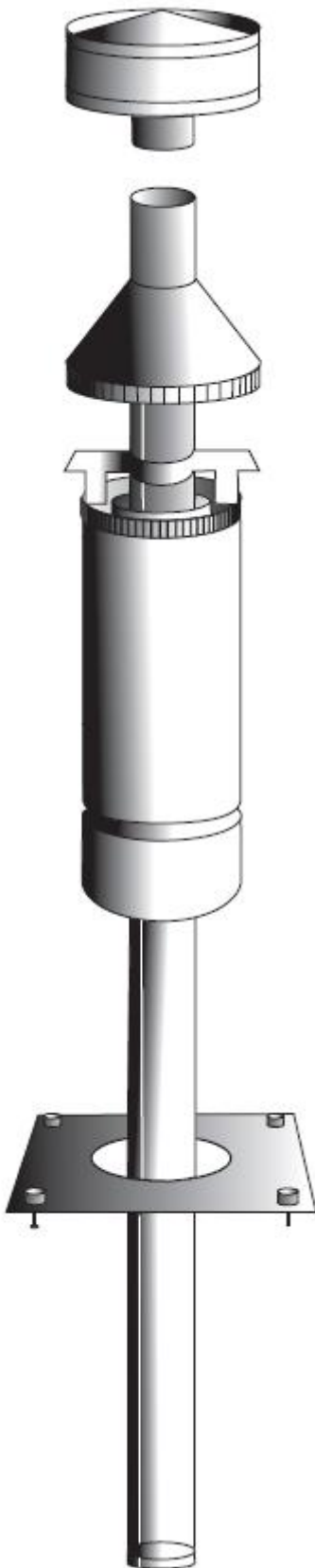
### Stainless Steel Flue System 100/150/200 3.6m

**COMPRISING:**

- 3 Stainless Steel Flue Pipes 100dia x 1200mm
- 1 Galvanised Inner Casing 150dia 1200mm with Brackets
- 1 Galvanised Outer Casing 200dia x 1200mm with Internal Swage
- 1 Stainless Steel Rainhat (Anti-Downdraught Cowl)
- 1 Stainless Steel Flashing Cone
- 1 Ceiling Plate
- 1 Stainless Steel Spreader
- 1 Packet of Screw and Ceramic Spacers

CODE	DESCRIPTION	PRICE
FKF10036B	100mm dia	\$
FKF10036B-MB	100mm dia Metallic Black	\$

Flue shield optional extra – see page 32



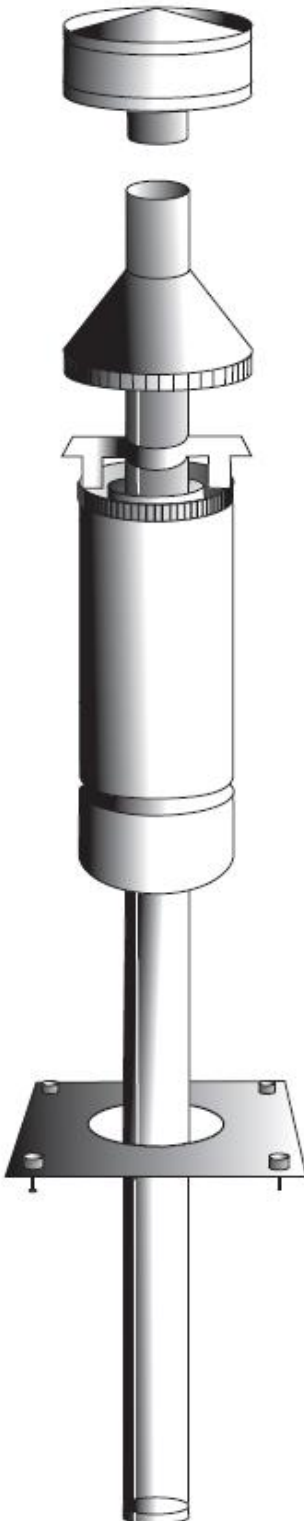
## Free Standing Flue System 3.6m Stainless Steel Painted Hi-Therm (150mm dia)

TESTED TO APPENDIX F OF AS/NZS2918:2001

MEANING THAT IT CAN BE INSTALLED ON ANY APPLIANCE WHICH HAS BEEN TESTED TO THE OLD OR NEW STANDARD

### COMPRISING:

- 1 Stainless Steel Flue Pipe 150x1200mm
- 1 Galvanised Inner/Outer Casing 200/250mm
- 1 Stainless Steel Rainhat (Anti-Downdraught Cowl)
- 1 Stainless Steel Flashing Cone
- 1 Stainless Steel Spreader
- 1 Ceiling Plate
- 1 Packet of Screws and Ceramic Spacers
- 2 Painted Stainless Steel Flue Pipes 150x1200mm



CODE	DESCRIPTION	PRICE
FKF15036MB	150mm dia Metallic Black	\$
FKF15036SB	150mm dia Satin Black	\$

**Flue shield optional extra – see page 32**

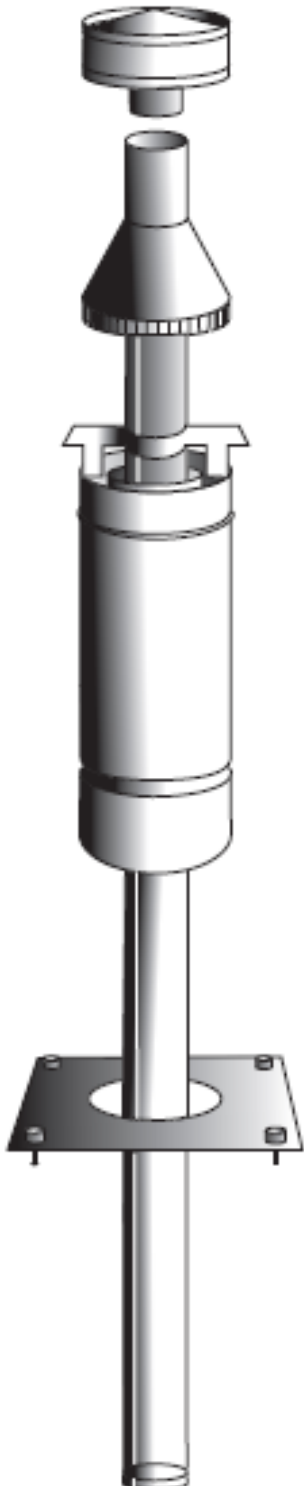
## Stainless Steel Flue System 4.2m

TESTED TO APPENDIX F OF AS/NZS2918:2001

MEANING THAT IF CAN BE INSTALLED ON ANY APPLIANCE WHICH HAS BEEN TESTED TO THE OLD OR NEW STANDARD

### COMPRISING:

- 1 Stainless Steel Flue Pipe 150x600mm
- 3 Stainless Steel Flue Pipes 150x1200mm
- 1 Galvanised Inner/Outer Casing 200/250 x1200mm
- 1 Stainless Steel Rainhat (Anti-Downdraught Cowl)
- 1 Stainless Steel Flashing Cone
- 1 Ceiling Plate
- 1 Stainless Steel Spreader
- 1 Packet of Screws and Ceramic Spacers
- 1 Galvanised Slip Joint 1200mm



CODE	DESCRIPTION	PRICE
FKF10042	100mm dia	\$
FKF11542	115mm dia	\$
FKF12542	125mm dia	\$
FKF15042	150mm dia	\$
FKF15042CF	150mm dia with Combi Flashing Cone & Spacer	\$

NB: the 150 Flue kit is available with a Combi Flashing Cone & spacer instead of the traditional Flashing Cone & Spreader

*Instructions available on our website: [www.foleyind.co.nz](http://www.foleyind.co.nz)*

### Optional Extras

Flue shield– see page 32

### To Convert to a Sloping Ceiling Kit

Drop box cap– see page 48

Angled ceiling plate – see page 37

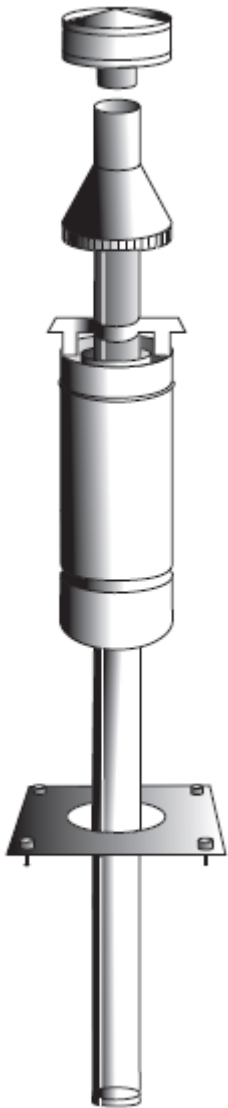
## Free Standing Flue System 4.2m Stainless Steel Painted Hi-Therm (150mm dia)

TESTED TO APPENDIX F OF AS/NZS2918:2001

MEANING THAT IF CAN BE INSTALLED ON ANY APPLIANCE WHICH HAS BEEN TESTED TO THE OLD OR NEW STANDARD

### COMPRISING:

- 1 Stainless Steel Flue Pipe 150x600mm
- 1 Stainless Steel Flue Pipe 150x1200mm
- 1 Galvanised Inner/Outer Casing 200/250 x1200mm
- 1 Stainless Steel Rainhat (Anti-Downdraught Cowl)
- 1 Ceiling Plate
- 1 Packet of Screws and Ceramic Spacers
- 2 Painted Stainless Steel Flue Pipes 150x1200mm
- 1 Galvanised Slip joint 1200mm
- 1 Stainless Steel Flashing Cone & 1 Stainless Steel Spreader
- Or, 1 Combi Flashing Cone & Spacer



CODE	DESCRIPTION	PRICE
FKF15042MB	150mm dia Metallic black	\$
FKF15042SB	150mm dia Satin black	\$
FKF15042MBCF	150mm dia Metallic black with Combi Flashing Cone and spacer	\$
FKF15042SBCF	150mm dia Satin black with Combi Flashing Cone and spacer	\$

*Instructions available on our website: [www.foleyind.co.nz](http://www.foleyind.co.nz)*

### Optional Extras

Flue Shield– see page 32

### To Convert to a Sloping Ceiling Kit

Drop box cap– see page 48

Angled ceiling plate – see page 37

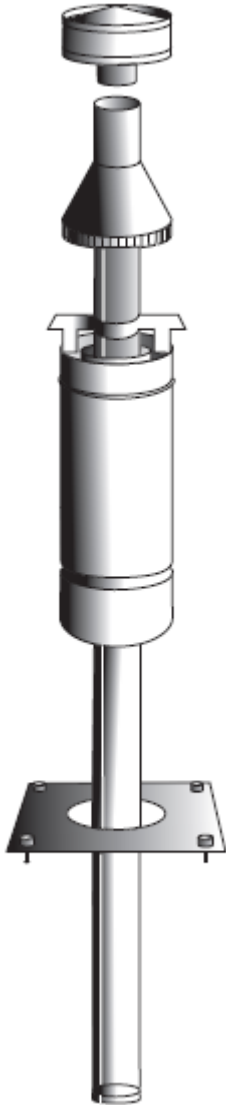


## Free Standing Flue System 4.2m Stainless Steel Painted Hi-Therm (150mm dia) with Shield

TESTED TO APPENDIX F OF AS/NZS2918:2001  
 MEANING THAT IF CAN BE INSTALLED ON ANY APPLIANCE WHICH HAS BEEN TESTED TO THE OLD OR  
 NEW STANDARD

### COMPRISING:

- 1 Stainless Steel Flue Pipe 150x600mm
- 1 Stainless Steel Flue Pipe 150x1200mm
- 1 Galvanised Inner/Outer Casing 200/250 x1200mm
- 1 Stainless Steel Rainhat (Anti-Downdraught Cowl)
- 1 Stainless Steel Flashing Cone
- 1 Stainless Steel Spreader
- 1 Ceiling Plate
- 1 Packet of Screws and Ceramic Spacers
- 2 Painted Stainless Steel Flue Pipes 150x1200mm
- 1 Galvanised Slip joint 1200mm
- 1 Single or Double Shield



CODE	DESCRIPTION	PRICE
FKF15042MBSHD	150mm dia Metallic black Single Shield	\$
FKF15042SBDSD	150mm dia Metallic black Double Shield	\$

*Instructions available on our website: [www.foleyind.co.nz](http://www.foleyind.co.nz)*

### To Convert to a Sloping Ceiling Kit

Drop box cap – see page 48

Angled ceiling plate – see page 37

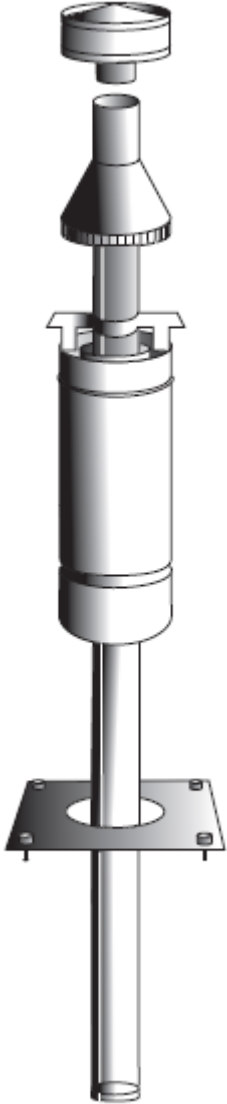
## Hi-Therm Coastal Flue Kit 4.2m (S/S 250 Outer)

TESTED TO APPENDIX F OF AS/NZS2918:2001

MEANING THAT IF CAN BE INSTALLED ON ANY APPLIANCE WHICH HAS BEEN TESTED TO THE OLD OR NEW STANDARD

### COMPRISING:

- 1 Stainless Steel Flue Pipe 150x600mm
- 1 Stainless Steel Flue Pipe 150x1200mm
- 1 Galvanised Inner 200x1200mm
- 1 Stainless Steel Outer Casing 250 x1200mm
- 1 Stainless Steel Rainhat (Anti-Downdraught Cowl)
- 1 Ceiling Plate
- 1 Packet of Screws and Ceramic Spacers
- 2 Painted Stainless Steel Flue Pipes 150x1200mm
- 1 Stainless Steel Slip joint 1200mm
- 1 Stainless Steel Flashing Cone BLACK & 1 Stainless Steel Spreader  
 Or, 1 Combi Flashing Cone BLACK & Spacer



CODE	DESCRIPTION	PRICE
FKF15042MBSS	150mm dia Metallic Black	\$
FKF15042SBSS	150mm dia Satin Black	\$
FKF15042MBSSCF	150mm dia Metallic Black with Combi Flashing Cone & Spacer	\$
FKF15042SBSSCF	150mm dia Satin Black with Combi Flashing Cone & Spacer	\$

**Instructions available on our website: [www.foleyind.co.nz](http://www.foleyind.co.nz)**

### Optional Extras

**Flue Shield**– see page 32

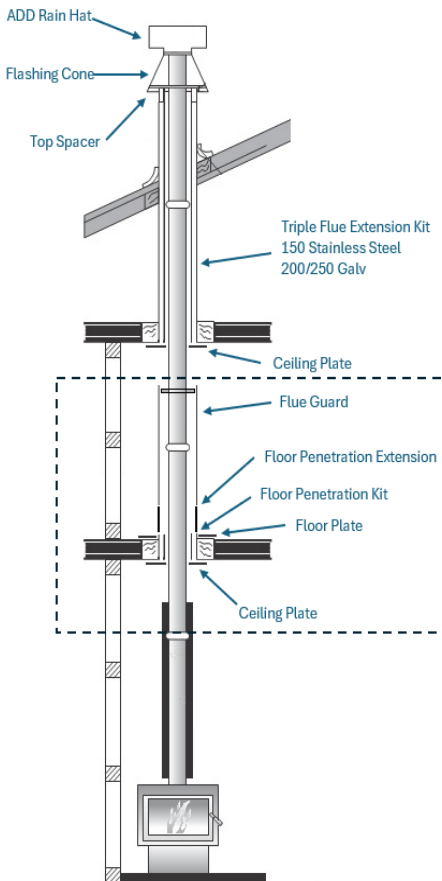
**Drop box cap**– see page 48

## TWO STOREY KIT

*This two storey flue kit parts are to be installed in conjunction with the appliance manufacturer's instructions, the free-standing flue kit instructions and floor penetration instructions*

Pair this two storey kit with one of our 4.2m flue kits for the additional parts required for a standard two story installation

Suits flat ceiling – for sloping ceiling swap ceiling plate for an angled one



### 150dia 2 Storey Kit – Metallic Black

**Kit Code: FK2S150MB**

QTY	CODE	DESCRIPTION
2	FSS150X1200MB	150dia X 1200 Long Flue, Metallic Black
1	CPSS150400	150dia Ceiling plate 400x400
1	FLRP	Floor Penetration Kit
1	FLRPEX	Floor Penetration Extension
1	FGMFSB	Flue Guard, Solid Back Mesh Front, Powdercoated
1	CPSPSCR	Packet spacers & screws
1	CPSCR	Packet Screws

### 150dia 2 Storey Kit – Satin Black

**Kit Code: FK2S150SB**

QTY	CODE	DESCRIPTION
2	FSS150X1200SB	150dia X 1200 Long Flue, Satin Black
1	CPSS150400	150dia Ceiling plate 400x400
1	FLRP	Floor Penetration Kit
1	FLRPEX	Floor Penetration Extension
1	FGMFSB	Flue Guard, Solid Back Mesh Front, Powdercoated
1	CPSPSCR	Packet spacers & screws
1	CPSCR	Packet Screws

# ENERGY SAVER FLUE SYSTEM

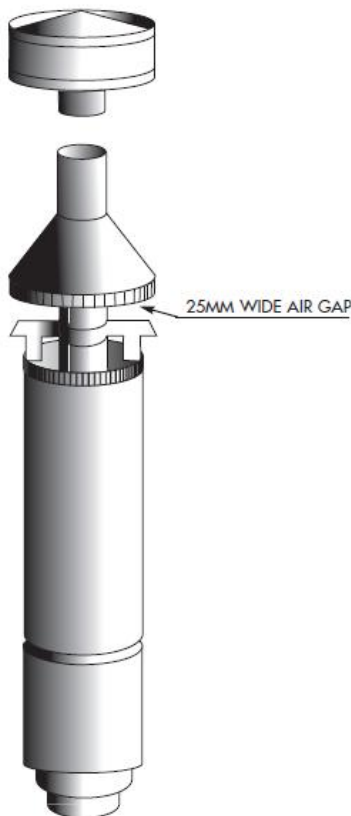
TESTED TO APPENDIX F OF AS/NZS2918:2001

MEANING THAT IF CAN BE INSTALLED ON ANY APPLIANCE WHICH HAS BEEN TESTED TO THE OLD OR NEW STANDARD

## Flat Energy Saver Flue System 3.6m

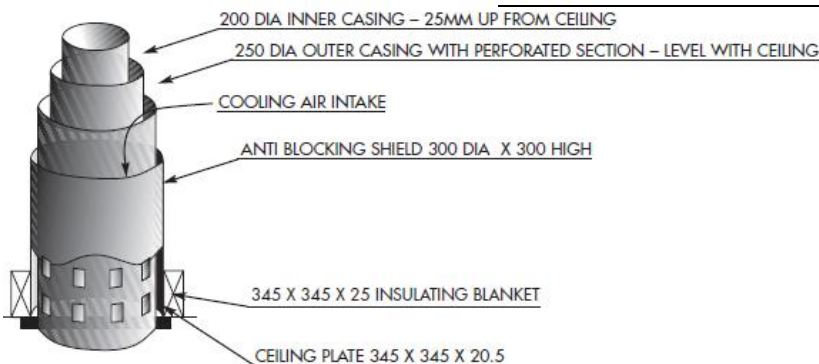
### COMPRISING:

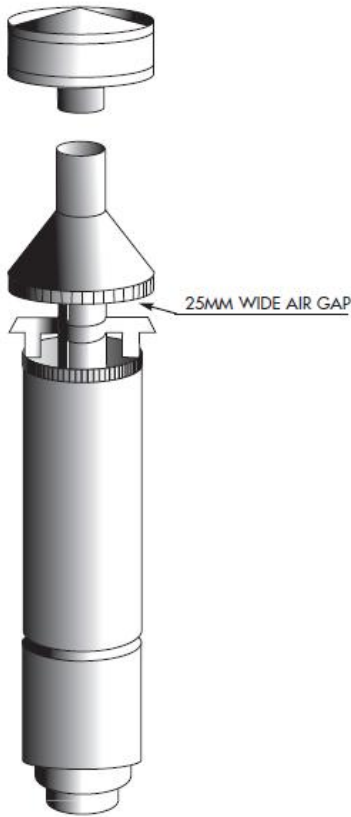
- 1 Stainless Steel Flue Pipe 150x1200mm
- 1 Galvanised Liner Casing 200x1200mm + Stainless Steel Spacers
- 1 Galvanised Outer Casing 250x1200mm with Perforated Section
- 1 Anti-Blocking Shield 300x300mm
- 1 Stainless Steel Rainhat (Anti-Downdraught Cowl)
- 1 Packet of Screws and Ceramic Spacers
- 1 Ceiling Plate with Insulation Blanket
- 2x Painted SS Flue Pipes 150x1200mm
- 1 Stainless Steel Flashing Cone & 1 Stainless Steel Spreader
- Or, 1 Combi Flashing Cone & Spacer



- Saves up to 40% of energy by preventing heated room air escaping through ventilation cavity.
- Acts as Fire Stop in the event of a house fire.
- Reduces wind and traffic noise.
- Easy and economical to fit to horizontal ceilings.
- Requires flat ceiling & cavity.

CODE	DESCRIPTION	PRICE
FKE15036MB	150mm dia Metallic Black	\$
FKE15036SB	150mm dia Satin Black	\$
FKE15036MBCF	150mm dia Metallic Black with Combi Flashing Cone & Spacer	\$
FKE15036SBCF	150mm dia Satin Black with Combi Flashing Cone & Spacer	\$





## Flat Ceiling Energy Saver Flue System 4.2m

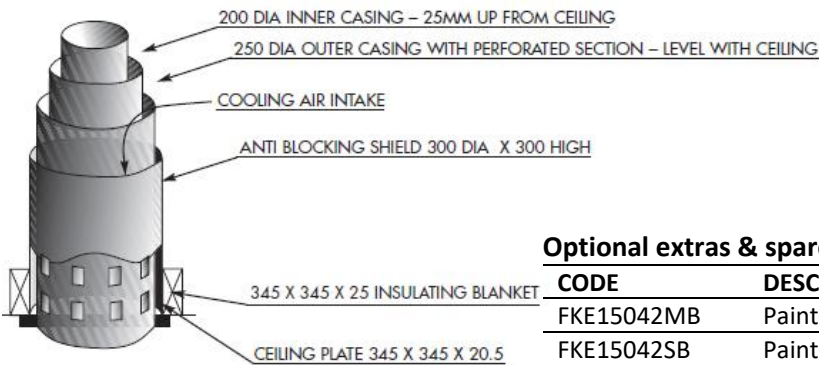
TESTED TO APPENDIX F OF AS/NZS2918:2001

MEANING THAT IF CAN BE INSTALLED ON ANY APPLIANCE WHICH HAS BEEN TESTED TO THE OLD OR NEW STANDARD

### COMPRISING:

- 1 Stainless Steel Flue Pipe 150x600mm
- 1 Stainless Steel Flue Pipe 150x1200mm
- 2 Stainless Steel Flue Pipe 150x1200mm painted
- 1 Galvanised Liner Casing 200x1200mmmm + Stainless Steel Spacers
- 1 Galvanised Outer Casing 250x1200mm with Perforated Section
- 1 Anti-Vermin Blocking Shield 300x300mm
- 1 Stainless Steel Rainhat (Anti-Downdraught Cowl)
- 1 Packet of Screws and Ceramic Spacers
- 1 Ceiling Plate with Insulation Blanket
- 1 Galvanised Slip Joint 1200mm
- 1 Stainless Steel Flashing Cone & 1 Stainless Steel Spreader
- Or, 1 Combi Flashing Cone & Spacer

- Saves up to 40% of energy by preventing heated room air escaping through ventilation cavity.
- Acts as Fire Stop in the event of house fire.
- Reduces wind and traffic noise.
- Easy and economical to fit to horizontal ceilings.
- Requires flat ceiling & cavity.



### Optional extras & spares

CODE	DESCRIPTION	PRICE
FKE15042MB	Painted Metallic Black S/S Flues	\$
FKE15042SB	Painted Satin Black S/S Flues	\$
FKE15042MBCF	Painted Metallic Black S/S Flues with Combi Flashing Cone & Spacer	\$
FKE15042SBCF	Painted Satin Black S/S Flues with Combi Flashing Cone & Spacer	\$
Spare Parts		
CPESS150I	Ceiling Plate with Insulation	\$
ABS300	Anti-Vermin Blocking Shield	\$
FGL250X1200ES	Galvanised 250x1200 with perf section	\$
FSS250X1200ES	S/S 250x1200 with perf section	\$

Instructions available on our website: [www.foleyind.co.nz](http://www.foleyind.co.nz)

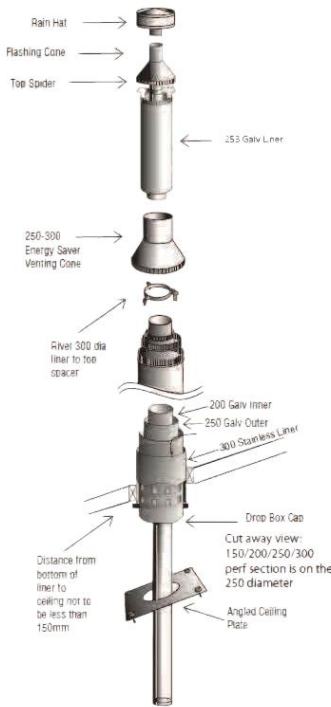
Flue shield - page 32

## Energy Saver Sloping Ceiling Flue Kit

### COMPRISING

TESTED TO APPENDIX F OF AS/NZS2918:2001

MEANING THAT IF CAN BE INSTALLED ON ANY APPLIANCE WHICH HAS BEEN TESTED TO THE OLD OR NEW STANDARD



- 1 Stainless Steel Flue Pipe 150x610mm
- 1 Stainless Steel Flue Pipe 150x1220mm
- 2 Stainless Steel Flue Pipe 150x1220mm Painted Hi-Therm Flues
- 1 Galvanised Liner Casing 200x1220mm + Stainless Steel Brackets
- 1 Galvanised Outer Casing 250x1220mm with Perforated Section + Stainless Steel Lower Brackets, no top crimp
- 1 Stainless Steel Liner 300x1150mm
- 1 Stainless Steel Rain hat (Anti-Downdraught Cowl)
- 1 Packet of Screws
- 1 Galvanised Slip Joint 1220mm
- 1 Energy Saver Venting Cone
- 1 Stainless Steel Drop Box Cap
- 1 top Spacer 250-300 with tabs
- 1 Ceiling plate 300mm diameter, angle to be specified
- 1 Stainless Steel Flashing Cone & 1 Stainless Steel Spacer
- Or, 1 Combi Flashing Cone & Spacer

CODE	DESCRIPTION	PRICE
FKESL15042MB	Energy Saver Sloping Ceiling Flue Kit Metallic Black, Ceiling Plate not included	\$
FKESL15042SB	Energy Saver Sloping Ceiling Flue Kit Satin Black, Ceiling Plate not included	\$
FKESL15042MBCF	Energy Saver Sloping Ceiling Flue Kit Metallic Black, Ceiling Plate not included with Combi Flashing Cone & Spacer	\$
FKESL15042SBCF	Energy Saver Sloping Ceiling Flue Kit Satin Black, Ceiling Plate not included with Combi Flashing Cone & Spacer	\$

**Instructions available on our website: [www.foleyind.co.nz](http://www.foleyind.co.nz)**

**Choose your angled ceiling plate here:-- page 38**

## EXTENSION KITS

### Galv 1200



**COMPRISING**

- 1 Stainless Steel Flue 150x1200mm
- 1 Galv Liner 200x1200mm with Brackets
- 1 Galv Liner 250x1200mm with Internal Swage

CODE	DESCRIPTION	PRICE
EXTKT1200	Galv Outer	\$

### Extension Kit 1200-B

**COMPRISING**

- 1 Stainless Steel Flue 150x1200mm
- 1 Galv Liner 200x1200mm NO Brackets
- 1 Galv Liner 250x1200mm NO Internal Swage

CODE	DESCRIPTION	PRICE
EXTKT1200-B	Galv Outer	\$

### Extension Kit 1200-C

**COMPRISING**

- 1 Stainless Steel Flue 150x1200mm
- 1 Galv Liner 200x1200mm Top Spacer only
- 1 Galv Liner 250x1200mm NO Internal Swage

CODE	DESCRIPTION	PRICE
EXTKT1200-C	Galv Outer	\$

### Stainless 1200

**COMPRISING**

- 1 Stainless Steel Flue 150x1200mm
- 1 Galv Liner 200x1200mm with Brackets
- 1 Stainless Steel Flue 250x1200mm with Internal Swage

CODE	DESCRIPTION	PRICE
EXTKT1200SS	Stainless Steel Outer	\$

## FLUE PIPES

### Stainless Steel Flue Pipe 0.55mm



DESCRIPTION	CODE	PRICE	CODE	PRICE
1200mm lengths			600mm lengths	
75mm dia	FSS75X900	\$		
75mm dia	FSS75x1200	\$	FSS75X600	\$
100mm dia	FSS100X1200	\$	FSS100X600	\$
115mm dia	FSS115X1200	\$	FSS115X600	\$
125mm dia	FSS125X1200	\$	FSS125X600	\$
130mm dia	FSS130X1200	\$	FSS130X600	\$
150mm dia	FSS150X1200	\$	FSS150X600	\$
175mm dia	FSS175X1200	\$	FSS175X600	\$
200mm dia	FSS200X1200	\$	FSS200X600	\$
225mm dia	FSS225X1200	\$	FSS225X600	\$
250mm dia	FSS250X1200	\$	FSS250X600	\$
275mm dia	FSS275X1200	\$	FSS275X600	\$
300mm dia	FSS300X1200	\$	FSS300X600	\$
325mm dia	FSS325X1200	\$	FSS325X600	\$
350mm dia	FSS350X1200	\$	FSS350X600	\$

Notched Flues for Pot Belly starter length add \$

Saddle spacers add \$ per length.

### Stainless Steel Flue Pipe 0.7mm

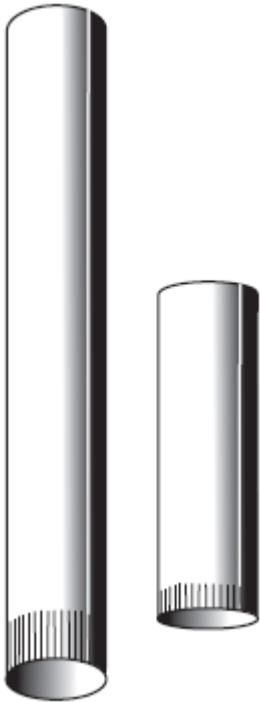


DESCRIPTION	CODE	PRICE	CODE	PRICE
1200mm lengths			600mm lengths	
400mm dia	FSS400x1200	\$	FSS400x600	\$
450mm dia	FSS450x1200	\$	FSS450x600	\$

### Painted Stainless Steel Flue Pipes

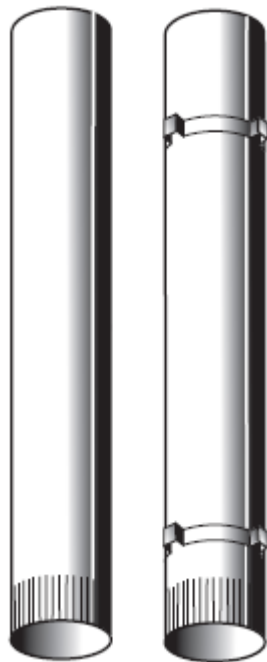
#### Hi-Temperature 1200mm Lengths

CODE	DESCRIPTION	PRICE
FSS100x1200SB	100mm dia	\$
FSS150X1200MB	150mm dia Matt Black	\$
FSS150X1200SB	150mm dia Satin	\$
FSS150X1200GR	150mm dia Grey	



### Galvanised Casing 0.55mm

DESCRIPTION	CODE	PRICE	CODE	PRICE
	1200mm lengths		600mm lengths	
100mm dia	FGL100X1200	\$	FGL100X600	\$
125mm dia	FGL125X1200	\$	FGL125X600	\$
150mm dia	FGL150X1200	\$	FGL150X600	\$
175mm dia	FGL175X1200	\$	FGL175X600	\$
180mm dia	FGL180X1200	\$	FGL180X600	\$
200mm dia	FGL200X1200	\$	FGL200X600	\$
200mm dia with SS brackets	FGL200X1200B	\$		
225mm dia	FGL225X1200	\$	FGL225X600	\$
250mm dia	FGL250X1200	\$	FGL250X600	\$
250mm dia with Internal swage	FGL250X1200IS	\$		
250mm dia with SS brackets	FGL250X1200B	\$		
275mm dia	FGL275X1200	\$	FGL275X600	\$
300mm dia	FGL300X1200	\$	FGL300X600	\$
325mm dia	FGL325X1200	\$	FGL325X600	\$
350mm dia	FGL350X1200	\$	FGL350X600	\$
375mm dia	FGL375X1200	\$	FGL375X600	\$



### Galvanised Casing 0.7mm

DESCRIPTION	CODE	PRICE	CODE	PRICE
	1200mm lengths		600mm lengths	
400mm dia	FGL400X1200X07	\$	FGL400X600X07	\$
450mm dia	FGL450X1200X07	\$	FGL450X600X07	\$

### Slip Joint (252mm dia)

CODE	DESCRIPTION	PRICE
FGLSJ600	Galvanised 600mm dia	\$
FGLSJ1200	Galvanised 1200mm dia	\$
FSSSJ1200	Stainless Steel 1200mm	\$



## 1.5 & 2 Metre Flue Pipes

Available from a minimum of 200dia: POA

CODE	DESCRIPTION	PRICE
FSS250X1500	Stainless Steel 250mm dia x 1500	\$
FSS300X1500	Stainless Steel 300mm dia x 1500	\$
FSS350X1500	Stainless Steel 350mm dia x 1500	\$
FSS250X2000	Stainless Steel 250mm dia x 2000	\$
FSS300X2000	Stainless Steel 300mm dia x 2000	\$
FSS350X2000	Stainless Steel 350mm dia x 2000	\$
FGL250X1500	Galvanised 250mm dia x 1500	\$
FGL300X1500	Galvanised 300mm dia x 1500	\$
FGL350X1500	Galvanised 350mm dia x 1500	\$
FGL250X2000	Galvanised 250mm dia x 2000	\$
FGL300X2000	Galvanised 300mm dia x 2000	\$
FGL350X2000	Galvanised 350mm dia x 2000	\$

## Colour Steel Casing 0.55

CODE	DESCRIPTION	PRICE
FC200X1200	Colour Steel 200mm dia x1200	\$
FC250X1200	Colour Steel 250mm dia x 1200	\$
FC300X1200	Colour Steel 300mm dia x 1200	\$
FC350X1200	Colour Steel 350mm dia x 1200	\$
FC200X1500	Colour Steel 200mm dia x 1500	\$
FC250X1500	Colour Steel 250mm dia x1500	\$
FC300X1500	Colour Steel 300mm dia x 1500	\$
FC350X1500	Colour Steel 350mm dia x 1500	\$
FC200X2000	Colour Steel 200mm dia x 2000	\$
FC250X2000	Colour Steel 250mm dia x 2000	\$
FC300X2000	Colour Steel 300mm dia x 2000	\$
FC350X2000	Colour Steel 350mm dia x 2000	\$
FCSSJ	Colour Steel Slip joint x 1200	\$

### Stocked Colours:

- Black
- White
- Flaxpod
- Grey Friars
- Gull Grey
- Iron Sand

## FLUE PIPE MOUNTED SHIELDS

### 180deg Stainless Steel (1200mm)

Complete with brackets for mounting

CODE	DESCRIPTION	PRICE
SHDSS100	100mm	\$
SHDSS115	115mm	\$
SHDSS125	125mm	\$
SHDSS150	150mm	\$
SHDSS200	200mm	\$

Instructions available on our website: [www.foleyind.co.nz](http://www.foleyind.co.nz)



## FLUE PIPE GUARDS

For use in two storied installations

### 360deg Mesh Screen Black - Powdercoated

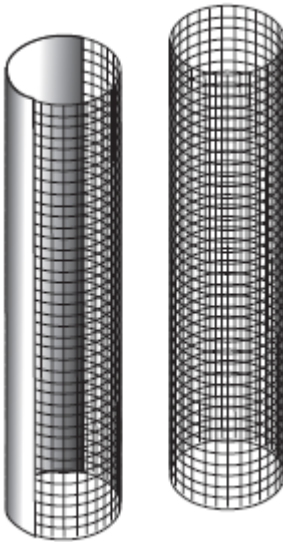
CODE	DESCRIPTION	PRICE
FGMESH	250mm dia	\$

### Stainless Steel Back – Galv Mesh Front

CODE	DESCRIPTION	PRICE
FGSSBK	250mm dia	\$

### Solid Back – Mesh Front – Black Powdercoated

CODE	DESCRIPTION	PRICE
FGMFSB	250mm dia	\$



## DOUBLE FLUE SHIELD KITS

CODE	DESCRIPTION	PRICE
SHDDBL100K	100mm Double Flue Pipe Shield	\$
SHDDBL150K	150mm Double Flue Pipe Shield	\$

Instructions available on our website: [www.foleyind.co.nz](http://www.foleyind.co.nz)



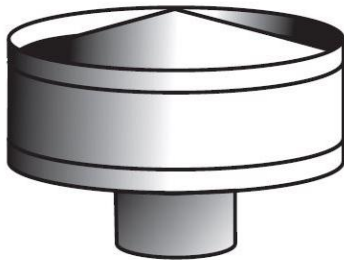
## SPACER BRACKETS

### Flue Spacers (saddles)

CODE	DESCRIPTION	PRICE
QBRKTBAFTOP02	25mm x 25mm x 25mm	\$
Q10SPASS75	75mm x 25mm x 75mm	\$

## FLUE SYSTEM COMPONENTS

### Rainhat (anti-downdraught cowl)

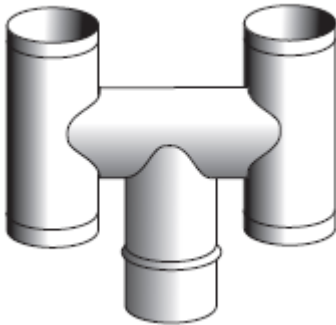


DESCRIPTION	CODE	PRICE	CODE	PRICE
	Stainless		Galvanised	
100mm dia	ADDSS100	\$	ADDGL100	\$
115mm dia	ADDSS115	\$	ADDGL115	\$
125mm dia	ADDSS125	\$	ADDGL125	\$
130mm dia	ADDSS130	\$	ADDGL130	\$
150mm dia	ADDSS150	\$	ADDGL150	\$
175mm dia	ADDSS175	\$	ADDGL175	\$
200mm dia	ADDSS200	\$	ADDGL200	\$
225mm dia	ADDSS225	\$	ADDGL225	\$
250mm dia	ADDSS250	\$	ADDGL250	\$
275mm dia	ADDSS275	\$		
300mm dia	ADDSS300	\$		
350mm dia	ADDSS350	\$		

#### Options:

- 316 Stainless Steel
- Spark Mesh
- Bird Mesh

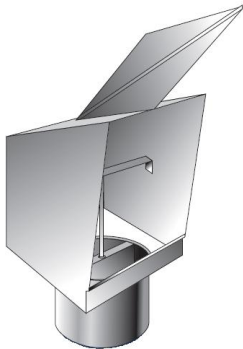
### Stainless Steel H-Tops



CODE	DESCRIPTION	PRICE
HCSS115	115mm dia	\$
HCSS150	150mm dia	\$
HCSS200	200mm dia	\$
HCSS250	250mm dia	\$
HCSS300	300mm dia	\$

#### Options:

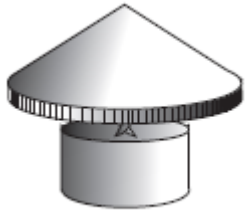
CODE	DESCRIPTION	PRICE
HCSSBMRET150	Retro Fit Bird Mesh for existing H-Cowl 150mm dia	\$ per set
HCSSBMPAN150	Replacement Mesh Plate	\$ per set
HCSSBSP	Bird spikes	\$ per set



### Stainless Steel Directional Cowl

CODE	DESCRIPTION	PRICE
DRCSS150	150mm dia	\$
DRCSS150BM	150mm dia with bird mesh	\$
DRCSS200	200mm dia	\$
DRCSS250	250mm dia	\$

### Chinaman's Hats



DESCRIPTION	CODE	PRICE	CODE	PRICE
	Stainless Steel		Galvanised	
100mm dia	CMHSS100	\$	CMHGL100	\$
125mm dia	CMHSS125	\$	CMHGL125	\$
150mm dia	CMHSS150	\$	CMHGL150	\$
200mm dia	CMHSS200	\$	CMHGL200	\$

### Chinaman's Hats with Inverted Cones



DESCRIPTION	CODE	PRICE	CODE	PRICE
	Stainless Steel		Galvanised	
250mm dia	CMHSS250	\$	CMHGL250	\$
300mm dia	CMHSS300	\$	CMHGL300	\$
350mm dia	CMHSS350	\$	CMHGL350	\$

### Butterfly Cowl



CODE	DESCRIPTION	PRICE
BFSS150	150mm dia	\$
BFSS200	200mm dia	\$
BFSS250	250mm dia	\$

### Rocket Cowl

CODE	DESCRIPTION	PRICE
RKC150	150mm dia	\$
RKC200	200mm dia	\$
RKC250	250mm dia	\$

### Combination Rainhat & Cowl

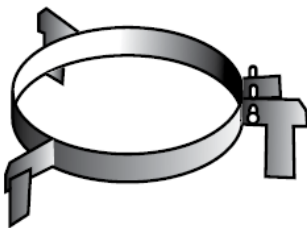
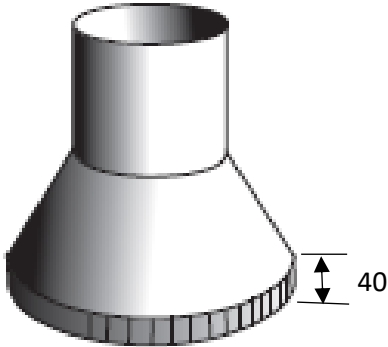
(A good replacement for Kent Style Cowl)

Includes Spacers



CODE	DESCRIPTION	PRICE
COMADSS150	150mm dia	\$
COMFCSS150	Bottom section only (NO ADD cowl)	\$

### Stainless Steel Flashing Cone



CODE	DESCRIPTION	COVER LINING	PRICE
FCSS100	100mm dia	250	\$
FCSS115	115mm dia	250	\$
FCSS125	125mm dia	250	\$
FCSS130	130mm dia	250	\$
FCSS150	150mm dia	250	\$
FCSS150/300	150/300mm dia	300	\$
FCSS150X	150mm dia with 150H skirt	250	\$
FCSS175	175mm dia	275	\$
FCSS200	200mm dia	300	\$
FCSS225	225mm dia	325	\$
FCSS250	250 mm dia	350	\$
FCSS275	275 mm dia	375	\$
FCSS300	300 mm dia	400	\$
FCSS350	350 mm dia	450	\$

**NOTE:** FCSS150X is good for extra weather proofing

### Top Spacer Brackets Stainless Steel – Spider

CODE	DESCRIPTION	LEGS	PRICE
SPATSS100	100/250mm dia	3 Legs	\$
SPATSS115	115/250mm dia	3 Legs	\$
SPATSS125	125/250mm dia	3 Legs	\$
SPATSS130	130/250mm dia	3 Legs	\$
SPATSS150	150/250 mm dia	3 Legs	\$
SPATSS150/300	150/300 mm dia	4 Legs	\$
SPATSS150/350	150/350 mm dia	4 Legs	\$
SPATSS175	175/275 mm dia	3 Legs	\$
SPATSS200	200/300 mm dia	4 Legs	\$
SPATSS225	225/325 mm dia	4 Legs	\$
SPATSS250	250/350 mm dia	4 Legs	\$
SPATSS300	300/400 mm dia	5 Legs	\$



### Bird Protection Options

CODE	DESCRIPTION	PRICE
BRDCGL320	Bird Cage 320x400mm	\$
BRDCGL260	Bird Cage 260x630mm (Metro Style)	\$



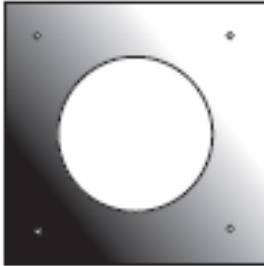
CODE	DESCRIPTION	PRICE
BIRDMESHSH	Bird Proof Netting 316 600mm	\$
BIRDMESHLG	Bird Proof Netting 316 860mm	\$

**Please note:** Chimney sweeps to inspect the mesh panels thoroughly, as they may increase the rate of soot build up



## CEILING PLATES

### Flat Ceiling – 400x400



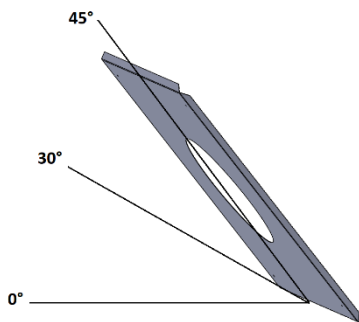
CODE	FLUE DIA	HOLE DIA	PRICE
CPSS100400	100mm (350x350)	125	\$
CPSS115400	115mm	135	\$
CPSS125400	125mm	150	\$
CPSS150400	150mm	175	\$
CPSS200400	200mm	225	\$

### Flat Ceiling – 460x460

CODE	FLUE DIA	HOLE DIA	PRICE
CPSS100460	100mm	125	\$
CPSS115460	115mm	135	\$
CPSS125460	125mm	150	\$
CPSS150460	150mm	175	\$
CPSS200460	200mm	225	\$
CPSS250460	250mm	275	\$

### Flat Ceiling – 500x500

CODE	FLUE DIA	HOLE DIA	PRICE
CPSS100500	100mm	125	\$
CPSS115500	115mm	135	\$
CPSS125500	125mm	150	\$
CPSS150500	150mm	175	\$
CPSS200500	200mm	225	\$
CPSS250500	250mm	275	\$



Angle Guide

### Flat Ceiling Colour – 400x400

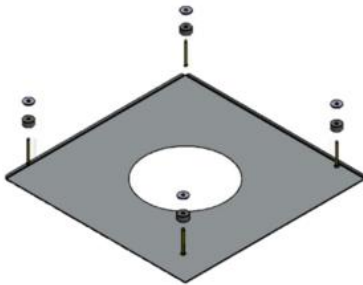
CODE	FLUE DIA	HOLE DIA	PRICE
CPCB150400	150mm Black	175	\$
CPCW150400	150mm White	175	\$



### Angled Ceiling Plates

CODE	ANGLE	DESCRIPTION	PRICE
CPSS150A30	30deg	150mm 400x400	\$
CPSS250A30	30deg	250mm 500x500	\$
CPSS150A45	45deg	150mm 450x450	\$
CPSS250A45	45deg	250mm 560x560	\$

Actual hole length table - page 86



### Magnetic Flat Ceiling Plates – Black Colour Steel

CODE	FLUE DIA	HOLE DIA	PRICE
CPCBM150400	150mm	175	\$
CPCBM150430	150mm	175	\$
CPCBM150500	150mm	175	\$
CPCBM150580	150mm	175	\$
CPCBM250400	250mm	275	\$
CPCBM250430	250mm	275	\$
CPCBM250500	250mm	275	\$
CPCBM250580	250mm	275	\$

See page 53 for magnets

### Magnetic Angled Ceiling Plates – Black Colour Steel

CODE	ANGLE	DESCRIPTON	PRICE
CPCBM250A15	15deg	250mm 500x500	\$
CPCBM250A30	30deg	250mm 500x500	\$
CPCBM250A45	45deg	250mm 500x500	\$

See page 53 for magnets

### Energy Saver Sloping Ceiling Plates

CODE	ANGLE	DESCRIPTON	PRICE
CPSS300A0	0deg	300mm @ 0deg	\$
CPSS300A15	15deg	300mm @ 15deg	\$
CPSS300A30	30deg	300mm @ 30deg	\$
CPSS300A45	45deg	300mm @ 45deg	\$

### Folded Legs Ceiling Plate

CODE	DESCRIPTON	PRICE
CPFLSS150	150mm dia 400x400mm	\$
CPFLSS150A	150mm dia @ angle	\$
CPFLSS150X	150mm dia 450x450mm	\$
CPFLSS250	250mm dia 400x400mm	\$
CPFLSS250A	250mm dia @ angle	\$
CPFLSS250X	250mm dia 450x450mm	\$



### Round Ceiling Plate

Tested to AS/NZS2918:2001

Stainless Steel 150mm dia (inner), 455mm dia (outside)	\$
--	----

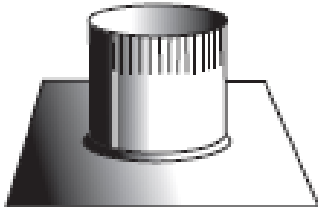
### Split Ceiling Plate

CODE	DESCRIPTON	HOLE DIA	PRICE
CPSSS150	150mm Split	175mm	\$

Also available in angled. Please specify where you require the split join

### Energy Saver Ceiling Plate

CODE	DESCRIPTION	HOLE DIA	PRICE
CPESS150I	150mm Energy Saver + Insulation	160mm	\$



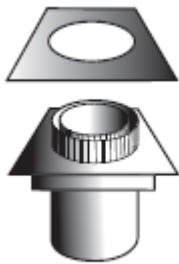
### Chimney Plate

CODE	MATERIAL	DESCRIPTION	PRICE
CMPSS250	Stainless Steel	250mm dia	\$
CMPGL250	Galvanised	250mm dia	\$

Base 350mm x400mm, Flue goes over spigot.

## FLOOR PENETRATION

COMPLIES WITH AS/NZ2918:2001  
 For use in two storied installations



### Floor Penetration Unit

CODE	DESCRIPTION	PRICE
FLRP	200/250mm dia	\$

Includes 1 x floor plate as pictured.

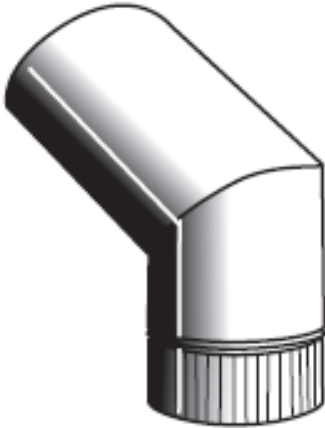
### Floor Penetration Extensions

CODE	DESCRIPTION	PRICE
FLRPEX	250mm dia x 300mm painted black	\$



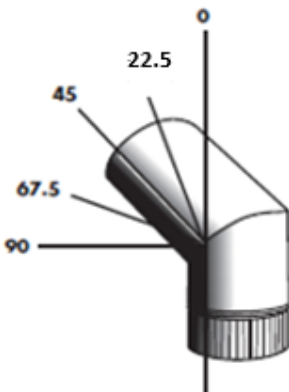
# FIXED BENDS

Other angles are available on request.



## 45deg Fixed Bends

DESCRIPTION	Stainless Steel		Galvanised	
	CODE	PRICE	CODE	PRICE
75mm	FBSS75A45	\$		
100mm	FBSS100A45	\$	FBGL100A45	\$
125mm	FBSS125A45	\$	FBGL125A45	\$
150mm	FBSS150A45	\$	FBGL150A45	\$
175mm	FBSS175A45	\$	FBGL175A45	\$
200mm	FBSS200A45	\$	FBGL200A45	\$
225mm	FBSS225A45	\$	FBGL225A45	\$
250mm	FBSS250A45	\$	FBGL250A45	\$
275mm	FBSS275A45	\$	FBGL275A45	\$
300mm	FBSS300A45	\$	FBGL300A45	\$
325mm	FBSS325A45	\$	FBGL325A45	\$
350mm	FBSS350A45	\$	FBGL350A45	\$



DESCRIPTION	Stainless Steel 0.75mm		Galvanised 0.75mm	
	CODE	PRICE	CODE	PRICE
400mm	FBSS400A45	\$	FBGL400A45	\$
450mm	FBSS450A45	\$	FBGL450A45	\$

## Two Fixed Bends Joined Together

DESCRIPTION	HEIGHT	CENTRE TO CENTRE
100mm	356	130
150mm	370	135
200mm	405	150
250mm	440	166
300mm	475	180

## 90deg Fixed Bends



DESCRIPTION	Stainless Steel		Galvanised	
	CODE	PRICE	CODE	PRICE
75mm	FBSS75A90	\$		
100mm	FBSS100A90	\$	FBGL100A90	\$
125mm	FBSS125A90	\$	FBGL125A90	\$
150mm	FBSS150A90	\$	FBGL150A90	\$
175mm	FBSS175A90	\$	FBGL175A90	\$
200mm	FBSS200A90	\$	FBGL200A90	\$
225mm	FBSS225A90	\$	FBGL225A90	\$
250mm	FBSS250A90	\$	FBGL250A90	\$
275mm	FBSS275A90	\$	FBGL275A90	\$
300mm	FBSS300A90	\$	FBGL300A90	\$
325mm	FBSS325A90	\$	FBGL325A90	\$
350mm	FBSS350A90	\$	FBGL350A90	\$

DESCRIPTION	Stainless Steel 0.75mm		Galvanised 0.75mm	
	CODE	PRICE	CODE	PRICE
400mm	FBSS400A90		FBGL400A90	\$
450mm	FBSS450A90		FBGL450A90	\$

## Combination Fixed Bends 45deg - Triple Skinned



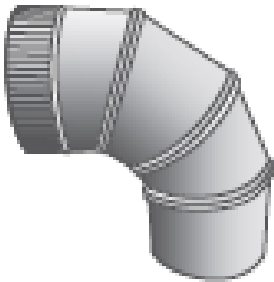
CODE	DESCRIPTION	CENTRE TO CENTRE	PRICE
FBTRP150A45	150/200/250mm	150	\$
FBTRP200A45	200/250/300mm	170	\$
FBTRP250A45	250/300/350mm	180	\$

Other sizes made to order.

## Two Triple Skinned Fixed Bends Joined Together

DESCRIPTION	HEIGHT	CENTRE TO CENTRE
150/200/250mm		150
200/250/300mm		170
250/300/350mm		180

### ADJUSTABLE BEND – TO 90DEG



DESCRIPTION	Stainless Steel		Galvanised	
	CODE	PRICE	CODE	PRICE
100mm	AJBSS100	\$	AJBGL100	\$
125mm	AJBSS125	\$	AJBGL125	\$
150mm	AJBSS150	\$	AJBGL150	\$
175mm	AJBSS175	\$	AJBGL175	\$
200mm	AJBSS200	\$	AJBGL200	\$
225mm	AJBSS225	\$	AJBGL225	\$
250mm	AJBSS250	\$	AJBGL250	\$
275mm	AJBSS275	\$	AJBGL275	\$
300mm	AJBSS300	\$	AJBGL300	\$
350mm	AJBSS350	\$	AJBGL350	\$
			AJBGL400	\$

## OFFSETS

Made to order – please specify offset (centre to centre)

### Fixed Offsets - 150mm Stainless Steel

Stainless steel – up to 400 C to C



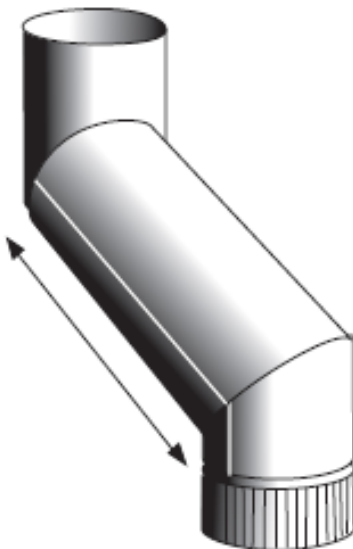
CODE	DESCRIPTION	PRICE
OSFSS100	100mm	\$
OSFSS115	115mm	\$
OSFSS125	125mm	\$
OSFSS150	150mm	\$
OSFSS175	175mm	\$
OSFSS200	200mm	\$
OSFSS225	225mm	\$
OSFSS250	250mm	\$
OSFSS275	275mm	\$

#### Larger Sizes POA

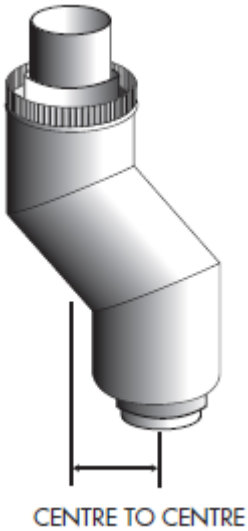
OSFSS300	300mm	\$POA
OSFSS350	350mm	\$POA
OSFSS400	400mm	\$POA
OSFSS450	450mm	\$POA

More than 400mm C to C – POA

### Telescopic Offset – 45deg



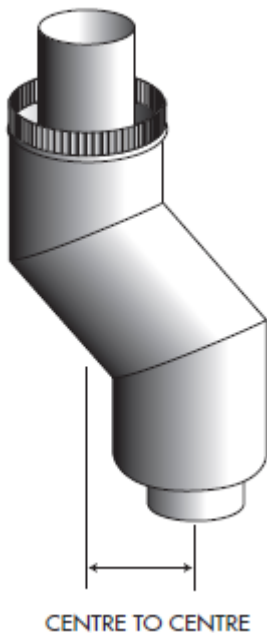
CODE	DESCRIPTION	APPROX RANGE	STAINLESS STEEL	GALVANISED
OSTESS100A45	100mm dia	152-262	\$	
OSTESS115A45	115mm dia	155-265	\$	
OSTESS125A45	125mm dia	160-270	\$	
OSTESS150A45	150mm dia	165-295	\$	\$
OSTESS175A45	175mm dia	195-325	\$	\$
OSTESS200A45	200mm dia	200-330	\$	\$
OSTESS225A45	225mm dia	205-335	\$	\$
OSTESS250A45	250mm dia	215-345	\$	\$
OSTESS275A45	275mm dia	220-350	\$	\$
OSTESS300A45	300mm dia	230-360	\$	\$
OSTESS325A45	325mm dia	235-365	\$	\$
OSTESS350A45	350mm dia	245-375	\$	\$
OSTESS400A45	400mm dia	255-385		\$



### Triple Skinned Fixed Offsets

CODE	DESCRIPTION	PRICE
OSTTRSGG150A45	150/200/250mm	\$
	Large offsets more than 400mm centre to centre	\$

Made to order. Please specify centre to centre



### Fixed Offsets Double Skinned 45 deg – up to 400 CtoC

CODE	DESCRIPTION	PRICE
OSFSG150250A45	150/250mm	\$
OSFSG200300A45	200/300mm	\$
OSFSG225325A45	225/325mm	\$
OSFSG250350A45	250/350mm	\$
OSFSG300400A45	300/400mm	\$
OSFSG100150A45	100/150mm	\$
OSFSG150200A45	150/200mm	\$
OSFSG200250A45	200/250mm	\$
OSFSG250300A45	250/300mm	\$

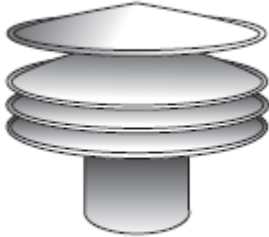
Made to order – please specify offset (centre to centre)  
 Up to 400 Centre to Centre

### Larger Sizes POA

OSFSG300350A45	300/350mm	\$
OSFSG350400A45	350/400mm	\$
OSFSG400500A45	400/500mm	\$
OSFSG450550A45	450/550mm	\$

More than 400mm C to C – POA

## GAS – STAINLESS STEEL



### Standard Gas Cowls

CODE	DESCRIPTION	PRICE
GCSS75	75mm	\$
GCSS100	100mm	\$
GCSS125	125mm	\$

### ADD Gas Cowls

CODE	DESCRIPTION	PRICE
GCADDSS100	100mm	\$
GCADDSS150	150mm	\$
GCADDSS175	175mm	\$
GCADDSS200	200mm	\$
GCADDSS225	225mm	\$
GCADDSS250	250mm	\$
GCADDSS275	275mm	\$
GCADDSS300	300mm	\$
GCADDSS350	350mm	\$



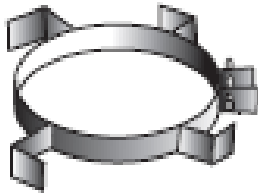
### Spigot Plate

CODE	SIZE	BASE	PRICE
SPGSS100	100mm	350x350	\$
SPGSS150	150mm	350x350	\$
SPGSS200	200mm	350x350	\$
SPGSS250	250mm	350x350	\$
SPGSS300	300mm	500x500	\$
SPGSS325	325mm	500x500	\$



Flue goes through inside of Spigot, Standard Spigot height 200mm.

### Stainless Steel – Internal Spacers



CODE	SIZE	BASE	PRICE
SPAISS100	100/150mm dia	3 legs	\$
SPAISS125	125/175mm dia	3 legs	\$
SPAISS150	150/200mm dia	3 legs	\$
SPAISS175	175/225mm dia	3 legs	\$
SPAISS200	200/250mm dia	4 legs	\$
SPAISS225	225/275mm dia	4 legs	\$
SPAISS250	250/300mm dia	4 legs	\$
SPAISS275	275/325mm dia	4 legs	\$
SPAISS300	300/350mm dia	4 legs	\$
SPAISS400	400/500mm dia	4 legs	\$
SPAISS500	500/550mm dia	4 legs	\$



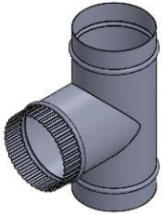
### Gas Clamp Sleeves (Split Collar)

CODE	DESCRIPTION	PRICE
SPCSS100	100mm	\$
SPCSS125	125mm	\$
SPCSS150	150mm	\$

### Stainless Steel Flexi-Flue & Adaptors

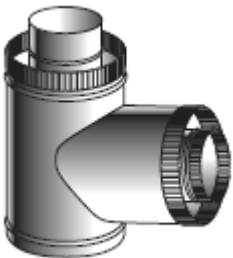
CODE	DESCRIPTION	PRICE
FLFSS100	100mm dia x 1000	\$
FLFSS150	150mm dia x 1500	\$
FLASS150	Flexi Flue Adaptor	\$
FLAJSS150	Flexi Flue Connector	\$

## 'T' PIECE



### 90deg Stainless Steel 'T' Piece

CODE	DESCRIPTION	PRICE
TPSS100	100mm dia	\$
TPSS150	150mm dia	\$
TPSS200	200mm dia	\$
TPSS250	250mm dia	\$
TPSS300	300mm dia	\$



### Combination 'T' Pieces

Includes end cap

CODE	DESCRIPTION	PRICE
TPSGCOM150250A90	150 Stainless Steel 250 Galvanised 90deg	\$
TPSGCOM150250A45	150 Stainless Steel 250 Galvanised 45deg	\$



## REDUCERS/ADAPTORS

Stainless Steel

CODE	DESCRIPTION	PRICE
REDSS100150	100/115/125/150mm	\$
REDSS150200	150/200mm	\$
REDSS200300	200/250/300mm	\$

Other sizes made to order - see page 78.

Standard Height 150mm



## OUTER CASING GALVANISED CONVERTERS

CODE	DESCRIPTION	PRICE
REDGL200250	200/250mm	\$
REDGL250300	250/300mm	\$
REDGL350250	250/350mm	\$

Standard Height 150mm

Template – see page 78 or [www.foleyind.co.nz](http://www.foleyind.co.nz)

## MISCELLANEOUS



### Square/Rectangle To Round

Stainless Steel

Please advise dimensions

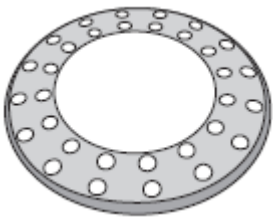
Reference diagram - see page 81



### Saddle

Please advise dimensions and angle

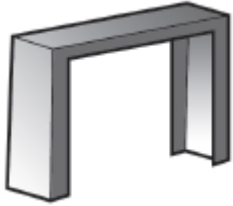
\$



### Drop Box Cover

CODE	DESCRIPTION	SIZE	PRICE
DRBGL100200	Galv Drop Box Cover unpainted	100-200mm dia	\$
DRBGL100250	Galv Drop Box Cover unpainted	100-250mm dia	\$
DRBGL100200MB	Drop Box Galv Metallic Black	100-200mm dia	\$
DRBGL150250	Galv Drop Box Cover unpainted	250-150mm dia	\$
DRBSS150250	SS Drop Box Cover unpainted	250-150mm dia	\$
DRBGL150250MB	Drop Box Galv Metallic Black	150-250mm dia	\$

Custom sizes made to order



### Insert Spacers – Not Painted

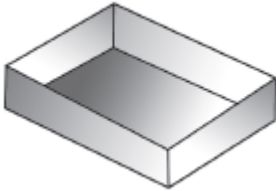
CODE	DESCRIPTION	PRICE
FASCINSPA	Please specify height, width & depth when ordering	\$

Template – see page 82 or visit our website [www.foleyind.co.nz](http://www.foleyind.co.nz)



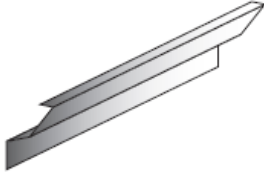
### Fascia/Surround Spacers – Not Painted

CODE	DESCRIPTION	PRICE
FASSURFLT	Please specify height, width & cut out when ordering - Flat	\$
FASSURFOL	With folded edges	\$



### Galvanised Ash Pans

	Please advise size when ordering	\$
--	----------------------------------	----



### Mantel Shelf Heat Shield

CODE	DESCRIPTION	PRICE
MANDEF	Painted – Matt Black	\$

850 wide



### Spigot Shim

CODE	DESCRIPTION	PRICE
SHMSS150	150mm dia S/S	\$

Adapt 150mm metric flue to 6" imperial spigot

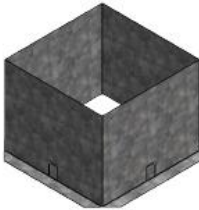


### Blanking Caps

CODE	DESCRIPTION	PRICE
BCGL250	Galvanised 250mm dia	\$

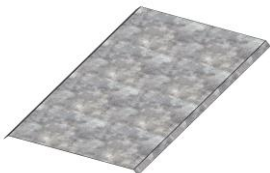
Other sizes made to order

Used to cap off 250 liner



### Loose Fill Box

CODE	PRICE
LFBGL250	\$



### Back Flashing

CODE	PRICE
FLACBBCK1200	\$
FLACBBCK2400	\$

Made to order: Galv or Black Colour Steel

## BRACING

Vertical flues require bracing every 3m please refer to AS/NZS2918:2001 4.10

### Aluminum Tube Bracing



CODE	DESCRIPTION	PRICE
BRAAL1200	Pair Aluminium Flue Bracing Tube 1.2m Long. Flat Ends. 15.9D 1.4W wall	\$
BRAAL1500	Pair Aluminium Flue Bracing Tube 1.5m Long. Flat Ends. 15.9D 1.4W wall	\$



### Roof Bracing Supports

CODE	DESCRIPTION	PRICE
BRAFSS250	Roof Bracing SS 250	\$
BRAFSS300	Roof Bracing SS 300	\$



### Galv Wall Brackets

CODE	DESCRIPTION	X	PRICE
BRAWGL150	150mm	70-160	\$
BRAWGL200	200mm		\$
BRAWGL250	250mm	0-90	\$
BRAWGL300	300mm		\$
BRAWGL325	350mm		\$



### Stainless Steel Telescopic Bracing Pole

Extend up to 500mm.

CODE	DESCRIPTION	PRICE
BRASS150	150mm dia	\$
BRASS250	250mm dia	\$
BRASS300	300mm dia	\$
BRASS350	350mm dia	\$



### Galv Support Angle

CODE	DESCRIPTION	PRICE
ANGGL40x40x1200	0.7 Galv Angle 50x50x1200	\$
ANGGL40x40x600	0.7 Galv Angle 40x40x600	\$

## MISCELLANEOUS

### Stainless Steel Fasteners



CODE	DESCRIPTION	PRICE
VRIVSS33	Stainless Steel Rivets per 1000	\$
VSTS1016	SS Self tapping screws per 500	\$
VRIVSS3.3BLK	Stainless Steel Rivets per 1000 BLACK	\$



### Double Ended Stub Drill Bits

CODE	DESCRIPTION	PRICE
VDRLBT33	Double ended packet of 10 x 3.3mm	\$



### Silicon Sealant

CODE	DESCRIPTION	PRICE
SILI	Per tube (20 per box)	\$
SILIVIC	Vitcas (12 per box)	\$

NB: Vitcas Silicone is UV, Weather & Ozone resistant & is heat resistant up to 315°C



### Paint Cans – Touch Up

CODE	DESCRIPTION		PRICE EACH	PRICE BOX
STOAMBK	Stove Bright Metallic Black	Wet Spray (12 per box)	\$	\$
STOASBK	Stove Bright Satin Black	Wet Spray (12 per box)	\$	\$
COLSPRMB	Colour Can Aerosol Matt Black	Powder coating	\$	\$
COLSPRSB	Colour Can Aerosol Satin Black	Powdercoating	\$	\$
COLTOUMB	Colour Can Dab Stick Matt Black	Powdercoating	\$	\$
COLTOUSB	Colour Can Dab Stick Satin Black	Powdercoating	\$	\$



### Fire Cement

CODE	DESCRIPTION	PRICE EACH	PRICE BOX
FIRECEM530	CRC 530gm (12 per box)	\$	\$
FIRECEM145	CRC 145gm	\$	\$
FIRECEMVIC	Victus 310ml	\$	\$

NB: Victus Cement - Max temp 1250°C with a setting time of 4-5hrs at 20°C



### Glass Cleaner

CODE	DESCRIPTION	PRICE EACH
GLASSCLEANER	Vitcas Glass Cleaner	\$



### Magnets & Ceramic Spacers and Screws

CODE	DESCRIPTION	PRICE
CPSPSCR	Ceramic spacers & screws (4/pack)	\$
MAGSCR	Magnets (4/pack)	\$



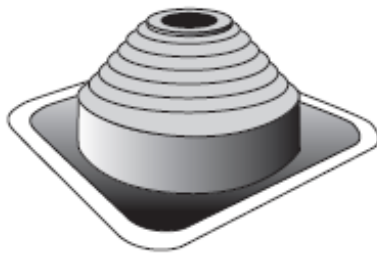
### Reflector Shield Bracket

CODE	DESCRIPTION	PRICE
SHDSNGBRKUNI	Packet Flue Pipe Mounted Shield Bracket - Single	\$
SHDDBLBRK150	Packet Flue Pipe Mounted Shield Bracket - Double	\$
SHDDBLBRK100	Packet Flue Pipe Mounted Shield Bracket - Double 100mm dia	\$



## DEKTITE

### Roof Flashings – Dektite Flexible Flashing



CODE	PIPE DIA	BASE	BOX QTY	PITCH	PRICE
DFE100B	0-35mm	100x100mm	20	0-60	\$
DFE101B	5-55mm	139x139mm	15	0-45	\$
DFE103B	5-127mm	218x218mm	20	0-45	\$
DFE104B	75-175mm	279x279mm	10	0-45	\$
DFE105B	100-200mm	309x309mm	10	0-45	\$
DFE106B	125-230mm	363x363mm	10	0-45	\$
DFE107B	150-300mm	456x456mm	10	0-45	\$
DFE108B	170-355mm	495x495mm	5	0-45	\$
DFE109B	230-508mm	680x680mm	5	0-45	\$

### Roof Flashings – Lead, Aluminum & Alternative Tile Flashings



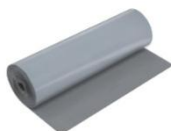
CODE	PIPE DIA	BASE	TYPE	PITCH	PRICE
TFL75-175	75-175mm	450x600mm	Lead	10-45	\$
TFL150-300	150-300mm	600x900mm	Lead	10-45	\$
DTFA160-300	160-300mm	600x900mm	Aluminum	10-45	\$
DFM108GB	175-330mm	850x550mm	Deckform	10-40	\$

### Roof Flashings – Dektite Soaker



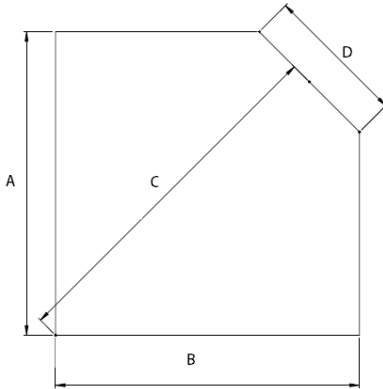
CODE	PIPE DIA	BASE	PITCH	PRICE
DF605	250-410mm	708x635mm	0-40	\$
DF603	114-255mm	460x495mm		\$

### Other Dektite Products

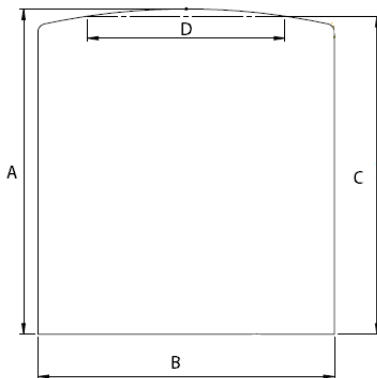


CODE	DESCRIPTION	PRICE
ALFLASH	Aluminum Flashing roll (600mm Width x 10m length, 0.7mm)	\$
FFR5-280B	Fast flash (280mm width, 5m length) black	\$
FFR5-370B	Fast flash (370mm width, 5m length) black	\$
FFR5-560B	Fast flash (560mm width, 5m length) black	\$
LEAD3X600	Lead Roll 600mm wide X 3m long	\$

# FLOOR PROTECTORS



Corner



Wall

## Custom Floor Protector

Please supply design sketch

Options: Mild Steel, Aluminium, Powder coated, non-powder coated, thickness

### Corner

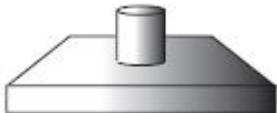
CODE	A(mm)	B(mm)	C(mm)	D(mm)	PRICE
FPC1050X1050SB	1050	1050	1240	490.08	\$
FPC1110X1110SB	1110	1110	1310	519.56	\$
FPC1200X1200SB	1200	1200	1420	554.16	\$
FPC1300X1300SB	1300	1300	1500	676.92	\$

### Wall

CODE	A(mm)	B(mm)	C(mm)	D(mm)	PRICE
FPW1000X1021SB	1021	1000	1003.11	600	\$
FPW1000X1100SB	1100	1000	1078.01	665	\$
FPW900X900SB	900	900	883.12	525	\$
FPW900X990SB	990	900	967.93	600	\$

**Powder coated Satin Black, Wrapped in Cardboard.**

## FLASHING AND LOUVRES



### Chimney Flashing

CODE	DESCRIPTION	PRICE
FLASS05SW75	S/S 0.75 Spot welded	\$
FLASSFW12	S/S 1.2 Fully welded	\$
FLAGL10SW75	Galvanised 0.75 Spot welded	\$
FLAAL10FW12	Aluminium 1.2 Fully welded	\$

Made to order, please advise dimensions – see page 79

*Flashings have Cross-Brake fold by default unless otherwise requested*

#### Options:

- 5deg fall
- Powder coating

### Louvre












### Louvre and Flashing



# DUCTING

Made to order.  
 Insulated and un-insulated  
 Damper plates available on spigots

 <p>T Section</p>	 <p>Reducer</p>	 <p>Mitered Offset</p>
 <p>Straight</p>	 <p>Rectangle to Round</p>	 <p>Radius Bend / Transition</p>
 <p>Cushion Boxes</p>	 <p>Reducing Mitered Offset</p>	 <p>Radius Bend</p>

## ROOM SEALED & INSULATED FLUE KITS

*Is the most efficient flue system for wood heaters*

### The Room Sealed Flue has a great range of benefits:

- Is sealed to the room, so no unnecessary heat loss
- Increases your heater's ability to heat your home by 8%
- Insulated flue promotes a cleaner burn by providing a consistent flue temperature
- Increases burn time by up to 20%
- Insulated ceiling ring creates an air tight room to give a true room seal flue kit solution, perfect for High Efficient & passive homes
- Reduces noise by 90%, no more rattling flue
- Constructed entirely from Stainless Steel
- Uses twist lock joining on all fittings
- Faster & safer to install
- The only flue with a 7 year warranty
- Uses twist lock joining on all fittings
- Faster & safer to install
- The only flue with a 7 year warranty

All insulated tested and approved to AS/NZS 2918:2018 & compliant with 2001 Appendix F.





## Standard Insulated Ceiling 4m Flue Kit

*Single skin Flues convert to Insulated below ceiling*

### COMPRISING:

1 RSF6 1000	6" Insulated Flue x 1000 Stainless Steel
1 RSF6 1000STARTER	6" Insulated Flue x 1000 Starter
2 FSS150X1200MB	Stainless Steel Flue 150x1200 Metallic Black
1 RSF6 COWL	Rain Hat
1 RSF6 CR	Ceiling Ring Insulated
1 RSF6 ADAPTOR	6" Adaptor
1 RSF6 CS	6" Ceiling Support Brace

CODE	DESCRIPTION	PRICE
FKRSF6S44	Standard Insulated Ceiling 4m Flue Kit	\$



## Fully Sealed Insulated Ceiling 4m Flue Kit

*Insulated Flues top to bottom*

### COMPRISING:

1 RSF6 1000	6" Insulated Flue x 1000 Stainless Steel
1 RSF6 1000STARTER	6" Insulated Flue x 1000 Starter
2 RSF6 1000BLK	6" Insulated Flue x 1000 Metallic Black
1 RSF6 COWL	Rain Hat
1 RSF6 CR	Ceiling Ring Insulated
1 RSF6 ADAPTOR	6" Adaptor
1 RSF6 CS	6" Ceiling Support Brace

CODE	DESCRIPTION	PRICE
FKRSF6I4	Fully Sealed Insulated Ceiling 4m Flue Kit	\$

## 6" INSULATED FLUE PARTS



### Painted & Unpainted Insulated Flue Pipe

- Fully Stainless Steel, insulated flue or,
- Fully Stainless Steel, insulated flue, painted in high-therm Metallic Black
- Available in 500mm & 1000mm lengths

CODE	DESCRIPTION	PRICE
RSF6 1000	1000mm length unpainted	\$
RSF6 500	500mm length unpainted	\$
RSF6 1000BLK	1000mm length painted	\$
RSF6 500BLK	500mm length painted	\$



### Starter Insulated Flue Pipe

- Used to start your heater install or when you are just short due to higher ceilings
- Available in 1000mm lengths
- Painted 1/3 high-therm Metallic Black

CODE	DESCRIPTION	PRICE
RSF6-1000-STARTER	Starter Insulated Flue Pipe	\$



### Adaptor

- To join your insulated flue to your wood heater

CODE	DESCRIPTION	PRICE
RSF6 6ADAPTER	Adaptor	\$

### 45deg Fixed Bend Painted & Unpainted



- Fully Stainless Steel & insulated or,
- Fully Stainless Steel, insulated, painted in high-therm Metallic Black

CODE	DESCRIPTION	PRICE
RSF6 45OBEND	Unpainted 45deg Fixed Bend	\$
RSF6 45OBEND	Painted 45deg Fixed Bend	\$

### Adjustable Length Painted & Unpainted



- Fully Stainless Steel, insulated flue, painted in high-therm Metallic Black or,
- Fully Stainless Steel, insulated flue
- Adjustable length extends from 340-500mm

CODE	DESCRIPTION	PRICE
RSF6 ADJUSTBLK	Painted Adjustable Length	\$
RSF6 ADJUST	Unpainted Adjustable Length	\$

### Unpainted Rain Hat



- Fully Stainless Steel, insulated
- Includes Stainless Steel wind rim
- Easy to remove for flue access

CODE	DESCRIPTION	PRICE
RSF6 COWL	Unpainted Rain Hat	\$



## Ceiling Ring

Room Sealed Ceiling Rings are the key to sealing the room  
 8deg adjustment to match the ceiling pitch in your room

CODE	DESCRIPTION	PRICE
RSF6 CR	Ceiling Ring 0deg	\$
RSF6 CR15	Ceiling Ring 15deg	\$
RSF6 CR22	Ceiling Ring 22.5deg	\$
RSF6 CR30	Ceiling Ring 30deg	\$
RSF6 CR45	Ceiling Ring 45deg	\$

## Other Insulated Flue Parts

CODE	DESCRIPTION	PRICE
RSF6 CS	Ceiling Support Bracket 6"	\$
RSF6 LB	Locking Band 6"	\$
RSF6 LBHW	Locking Band High Wind 6"	\$
RSF6 RB	Roof Bracing Kit with arms 200dia	\$
RSF6 TEE	SS Insulated 90deg Tee & Cap	\$
RSF6 TEE45	SS Insulated 45deg Tee & Cap	\$





## Insulated Room Sealed Flue Kit

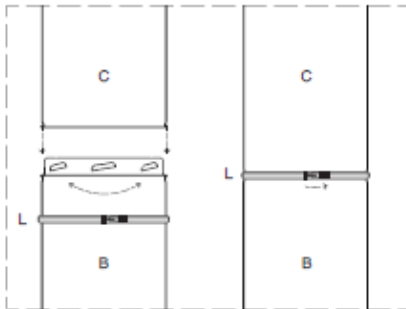
### Standard Ceiling 4m Flue Kit

*Painted Stainless Steel with Painted Heat Shield*

#### Standard Flue Kit

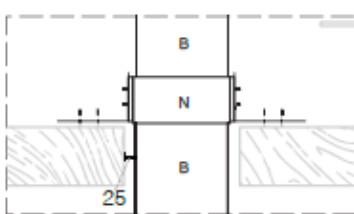
Item	QTY
A 1000mm Single skin flue Painted black	2
B 1000mm starter length, end painted for drop box	1
C 1000mm Room Sealed Flue (with Locking Band)	1
D 1000mm Heat Shield Black	1
E Ceiling Ring	1
F Wind Cowl Stainless Steel	1
G Room Sealed Flue Adapter	1

#### Flue Assembly



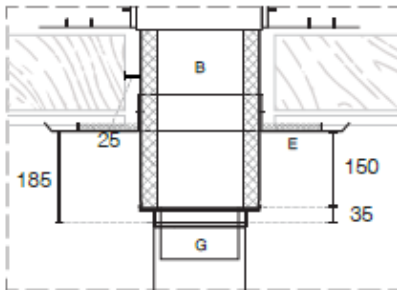
**NOTE:**  
To assemble flue, first lock into place, second secure locking band around joint

#### Optional Support Brace

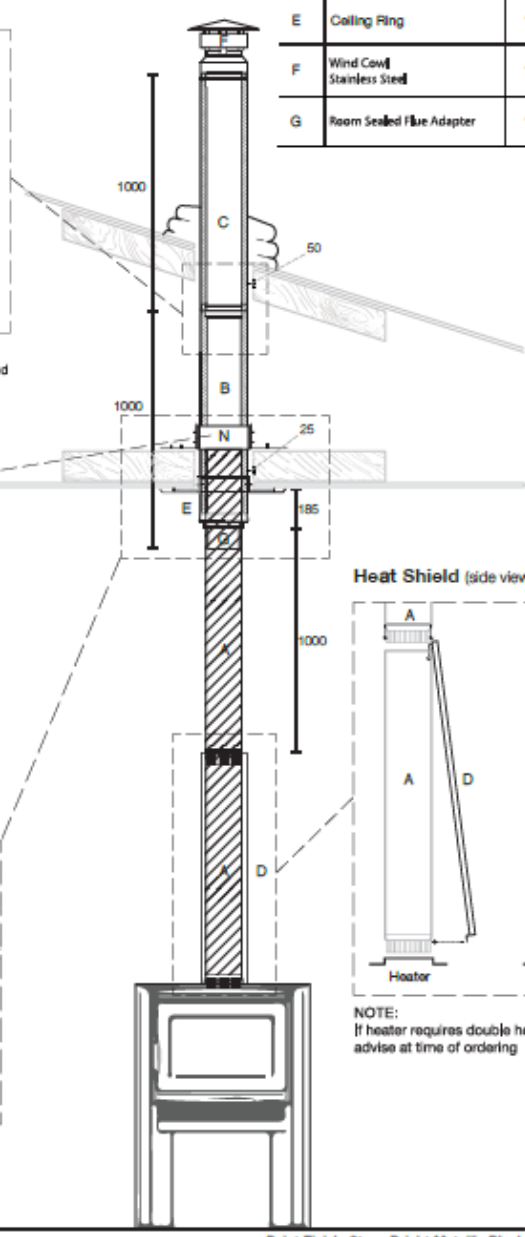


**NOTE:**  
The optional support brace (N) has the ability to adjust to any angle of adjacent roof beams  
\*There is a 25mm clearance between the flue and any timber at all times\*

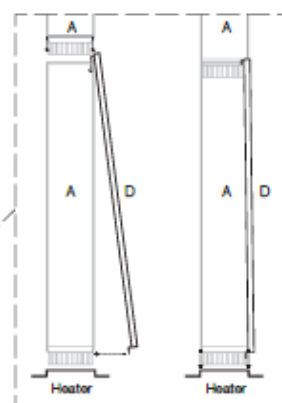
#### Starter Length



**NOTE:**  
single skin flue (A) must terminate 185mm from the ceiling. The starter length (B) dropping 150mm into the room, with the tail dropping into the A flue  
\*There is a 25mm clearance between the flue and any timber at all times\*



#### Heat Shield (side view)



**NOTE:**  
If heater requires double heat shield, please advise at time of ordering

Paint Finish: Stove Bright Metallic Black

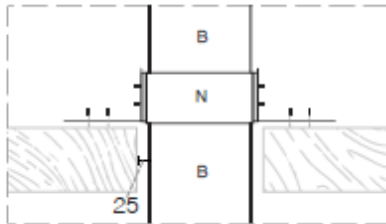


## Insulated Room Sealed Flue Kit

### Fully Sealed 4m Flue Kit

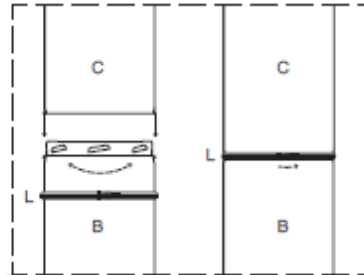
*Painted Insulated RSF from the heater*  
*Stainless Steel RSF outside the home*

#### Optional Support Brace



**NOTE:**  
 The optional support brace (N) has the ability to adjust to any angle of adjacent roof beams  
 \*There is a 25mm clearance between the flue and any timber at all times\*

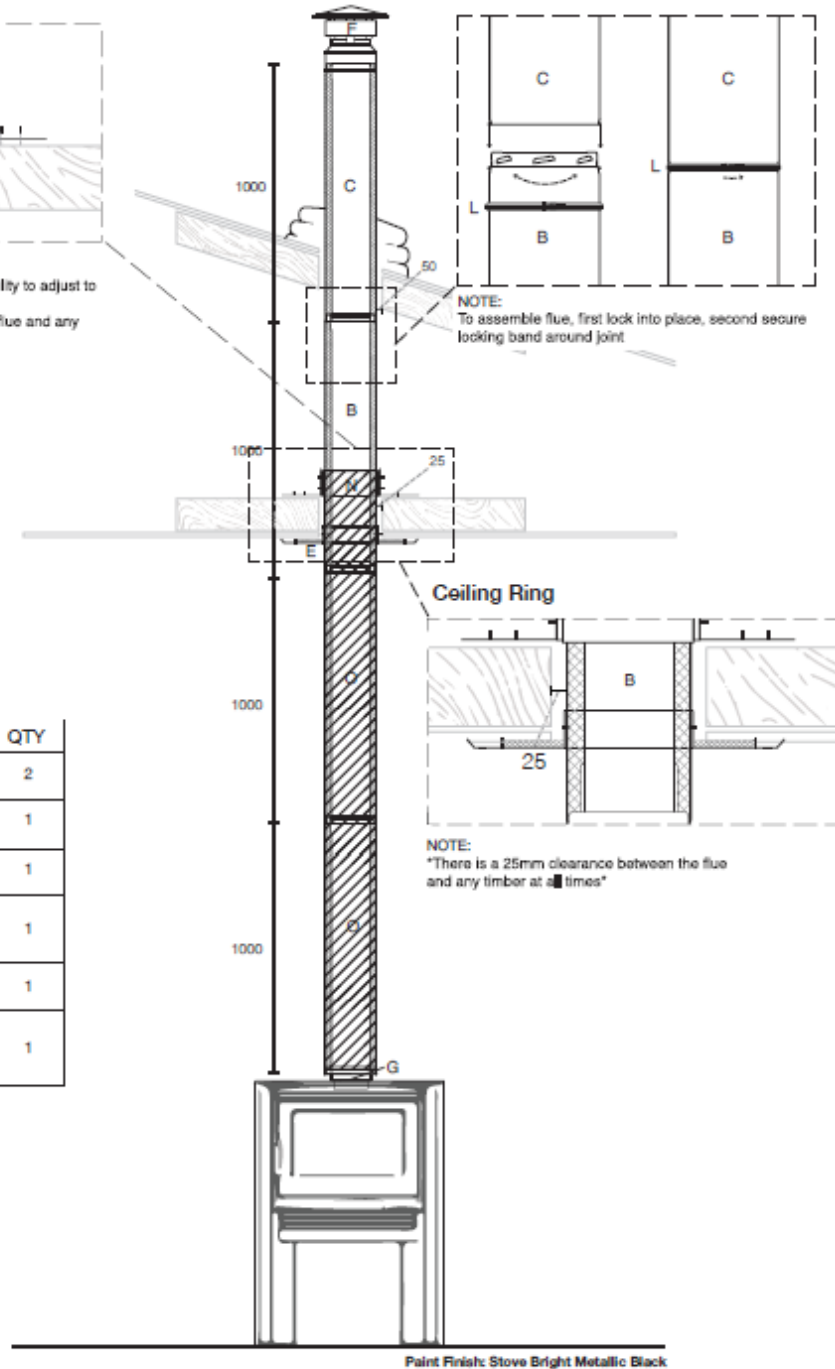
#### Flue Assembly



**NOTE:**  
 To assemble flue, first lock into place, second secure locking band around joint

#### Fully Sealed Flue Kit

Item	Item	QTY
O	1000mm RSF, painted black (with Locking Band)	2
B	1000mm starter length, end painted for drop box	1
C	1000mm Room Sealed Flue (with Locking Band)	1
E	Ceiling Ring	1
F	Wind Cowl Stainless Steel	1
G	Room Sealed Flue Adapter	1



Paint Finish: Stove Bright Metallic Black

[www.foleyind.co.nz](http://www.foleyind.co.nz)

Tested and approved to AS/NZS2819:2008

# MILAN HEATING SPARE PARTS



## Fire Bricks



CODE	DESCRIPTION	PRICE
FBRICKS	Standard Fire Brick 115x220x30	\$
FBRICK02	Fire Brick Corner Cut 115x220x30	\$



### NUMBER OF BRICKS NEEDED PER FIRE

Milan Fire	Standard Brick Qty	Corner Cut Brick Qty
Caldo Rad Rustic	8	
Caldo	8	
Piccollo	8	
Milano	9	
Tuscany	8	
Ardore	8	2
Caldo Rad Rustic C/A Harmony	12	
Caldo C/A Harmony	12	
Piccollo C/A Harmony	12	
Milano C/A Harmony	9	
Ardore C/A Harmony	8	2
Milan Insert	6	2
Ardore Insert	8	2

## Door Rope & Glass Tape



CODE	DESCRIPTION	PRICE
GLASEAL20	Ladder back glass seal 20mm	\$
GLASEAL20M	Ladder back glass seal 20mm (2m)	\$
GLASEAL25	Non Ladder back glass seal 25mm	\$
GLASEAL25M	Non Ladder back glass seal 25mm (2m)	\$
DORRPE13	Door Rope 13mm (50m)	\$
DORRPE13M	Door Rope 13mm (2m)	\$
DORRPE15	Door Rope 15mm (50m)	\$

## Secondary Air Tubes

### SECONDARY AIR TUBE FOR FIRE MODELS



CODE	DESCRIPTION	MILAN FIRE MODEL	PRICE
SECAIRO1	27 holes, 492mm	Caldo Firenze Rad Rustic Harmony Caldo Harmony Piccollo Harmony	\$
SECAIRO2	20 holes, 598mm	Signature Milano Milano Harmony	\$
SECAIRO3F	20 holes, 446mm	Harmony Insert	\$
SECAIRO3R	12 holes, 446mm	Harmony Insert	\$
SECAIRO4	6 holes, 445mm (square tube)	Harmony Insert	\$
SECAIRO5	16 holes, 435mm	Fiorenzi Euro Fire	\$






## Baffle Plates

### BAFFLE PLATE TYPE FOR FIRE MODELS

	CODE	DESCRIPTION	FIRE	PRICE
	BAPL01	445X150 (pair)	Insert Rembrandt	\$
	BAPL02	470x170	Piccolo C/A	\$
	BAPL03	400x208	Caldo Piccolo C/A	\$
	BAPL04	470x210	Caldo F1-11 Piccolo	\$
	BAPL05	500x190	Milano C/A	\$
	BAPL06	570x170	Milano Signature	\$
	BAPL07	420x160 (pair)	Tuscany Insert Rural	\$
	BAPL08	460x270	Ardore	\$
	BAPL09	400x280	Insert C/A Harmony	\$

## Glass Retainers

### GLASS RETAINER TYPER FOR FIRE MODELS

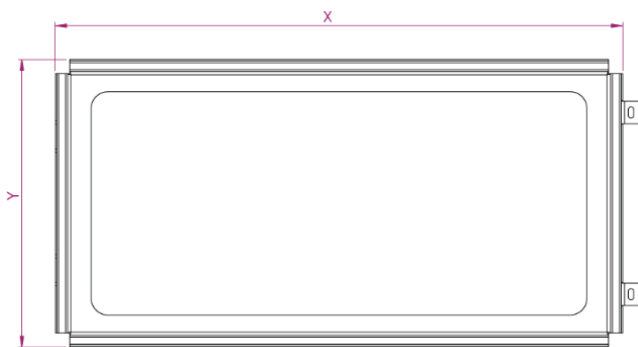
	CODE	DESCRIPTION	FIRE	PRICE
	GRET01	395X250	All Milan Fires Pre-1992 Caldo F1-11 Rustic Tuscany	\$
	GRET02	425x250	Piccolo Insert Piccolo C/A Harmony	\$
	GRET03	492x250	Milano Milano C/A Harmony	\$
	GRET04	440x248	Milano Insert Harmony C/A	\$
	GRET05	297x240x5	Ardore	\$

**CUSTOM GLASS RETAINERS MADE TO ORDER** See page 84

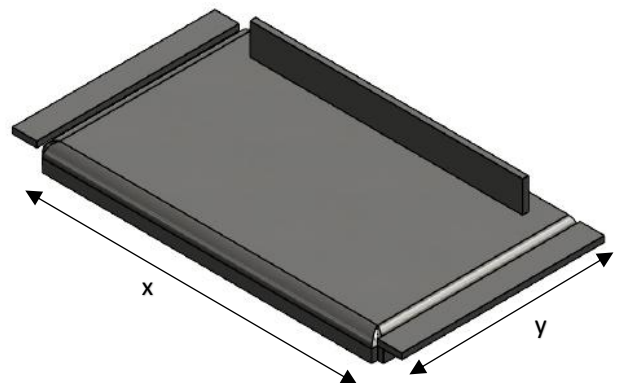
## Door Handles & Spindles

	CODE	DESCRIPTION	FIRE	PRICE
	ASCK	Air Slide Knob		\$
	DOHAN	Door Knob		\$
	DOHANSL	Spindle Long 37mm	Log-fire Ardore	\$
	DOHANSS	Spindle Short 27mm	Milano Caldo Rustic Piccolo Tuscany	\$

### How to Measure a Glass Retainer



### How to Measure a Baffle Plate

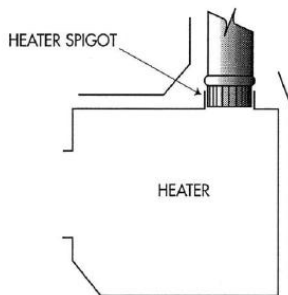
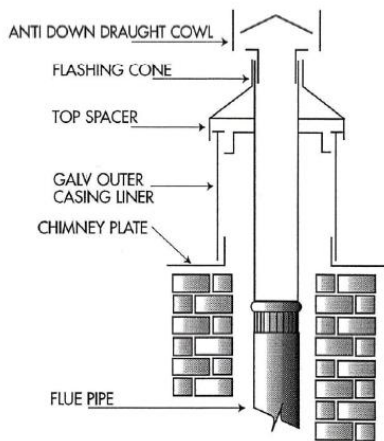


# INSTRUCTIONS

## Insert Flue System Installation Instructions

TESTED TO AS/NZ2918:2001

v09.25



Drawing is for reference only and is not to scale

These instructions are to be read in conjunction with the manufacturer's instructions.

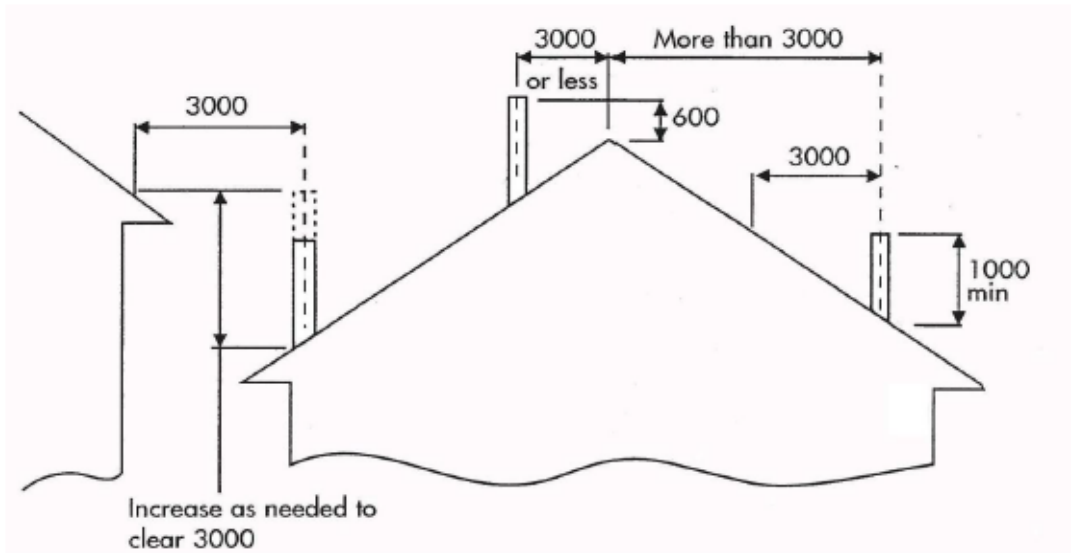
1. Position heater in fireplace. Extend plumb line from top of chimney, ensuring heater spigot is in line with top of chimney. If not, flue pipe offsets will be required.
2. Assemble flue pipes ensuring all seams are in line and assembly is straight and tight with crimped ends pointing downwards. Secure flue pipes with at least 3 stainless steel or monel rivets or fasteners seal.
3. Fasten chimney plate supplied onto the chimney top. The chimney plate must be weather sealed with silicone or mortar. Chimney plate may not cover entire chimney.
4. Install chimney liner on top of the chimney plate
5. Ensure flue pipe is extended over the chimney liner by 180mm. If using a combination flashing cone that includes the spacers, cut the flue flush with the top of the liners and skip step 6.
6. Secure top spacer bracket to the flue pipe and ensure legs fit snugly inside the chimney liner.
7. Slide flashing cone over top of flue, until it rests firmly over top spacer. Secure with stainless steel screws or rivets. If using a combination flashing cone, slide the cone inside the flue, ensure the tabs are on the outside of the 250 liner. Secure tabs or flashing cone with stainless steel screws or rivets
8. Fit anti-down draught cowl. Do not secure as it must be removable for cleaning.

**CAUTION:** Mixing of appliance of flue system components from different sources or modifying the dimensional specification of components may result in hazardous conditions. Where such action is considered the manufacturer should be consulted in the first instance.

**WARNING:** The appliance and flue system shall be installed in accordance with AS/NZS2918:2001 and appropriate requirements of the relevant building code or codes.

## REFERENCE DIAGRAM

(As per AS/NZS2918:2001)



### Notes

1. The flue pipe shall extend not less than 4.6m above the top of the floor protector.
2. The flue cowl must be at least 600mm above the highest point of the roof if within 3 metres of it, or 1 metre above the roof penetration if more than 3 metres from the ridge.
3. No part of the building, or any adjacent building may be in or above a circular area of a horizontal radius of 3 metres from the flue exit.

### Recommendations:

- Foley Industries recommends that this product is installed by a registered installer
- This product has sharp edges and gloves must be worn during installation
- Only natural untreated soft tree wood with less than 25% moisture content may be used in conjunction with Foley Flues, only plain paper and newspaper should be used to prevent premature deterioration of the flue and appliances
- Foley Industries recommends having your flues swept by a professional chimney sweep before the first use each season.

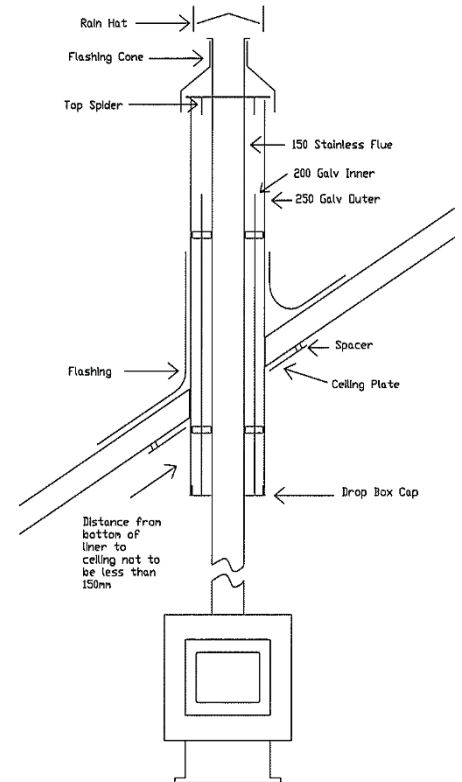
## Freestanding Flue System Installation for Flat and Sloping Ceilings

v8.25.2

TESTED TO APPENDIX F OF AS/NZ2918:2001 FOR FLAT & SLOPING CEILINGS

MEANING THAT IT CAN BE INSTALLED ON ANY APPLIANCE WHICH HAS BEEN TESTED TO THE OLD OR NEW STANDARD These instructions are to be read in conjunction with the manufacturer's instructions for the appliance the flue is to be installed with.

1. Position heater on floor protector ensuring all heater clearances are correct as per manufacturer's instructions.
2. Once the location is confirmed, the appliance and floor protector shall be mechanically fixed to the floor itself (refer to manufacturer's instructions).
3. Extend a plumb line from the center of the fire flue pipe spigot to the ceiling. Mark position on ceiling and roof.
4. Cut a 250mm square penetration for the passage of the flue pipe and casings through the ceiling. Trim hole and nog as required to fix the outer casing on all four sides.
5. Cut and frame (when required) an opening in the roof and position that outer casing through the roof until it is flush with the ceiling, for sloping ceiling penetrations drop the liners into the room. Not less than 150mm at the shortest side of the 250 liner. Fix with 4 screws or clouts to the framing of the square opening in the ceiling at the points where outer casing and timber meet.
6. Fix appropriate flashing around outer casing to the roof to ensure a weatherproof seal.
7. Assemble flue pipe sections ensuring all seams are in line, the assembly is straight and crimped, and ends are pointing downwards. Fix each joint with three stainless steel or monel rivets or stainless steel screws and seal.
8. Place ceiling plate and drop box cap, if applicable, with folded edges upwards over heater spigot.
9. Position the flue pipe into the heater spigot. The flue pipe can either be lowered from the top as a single unit or fed up from the room a length at a time, ensuring that all joints are fixed properly. Painted flues should be handled with the protective wrapping on. Remove wrapping only when installation is complete.
10. Slide the inner casing into place, between the outer casing and the flue pipe.
11. The flue pipe must extend 200mm above the outer casing. Note: Extra lengths of flue pipe, inner and outer casing may be required to achieve the minimum clearance from the roof. If using a combination flashing cone that includes the spacers, cut the flue flush with the top of the liners and skip step 12.
12. Slide top spreader over flue pipe down into outer and inner casing and tighten.
13. Slide cowl over flue pipe until it rests on spreader.  
If using a combination flashing cone, slide the cone inside the flue, ensure the tabs are on the outside of the 250 liner, secure tabs with screws or rivets
14. Fit rainhat. Do not fasten as it must be removable for flue pipe cleaning.
15. Fix ceiling plate to ceiling maintaining an even gap all around flue pipe.  
Note: Ensure ceiling plate is spaced 12mm off from the ceiling with non-combustible spacers.
16. If used, secure the drop box cap into place.
17. Using Hi-therm paint (not supplied in the flue kit) carefully paint the exposed liner & drop box cap.

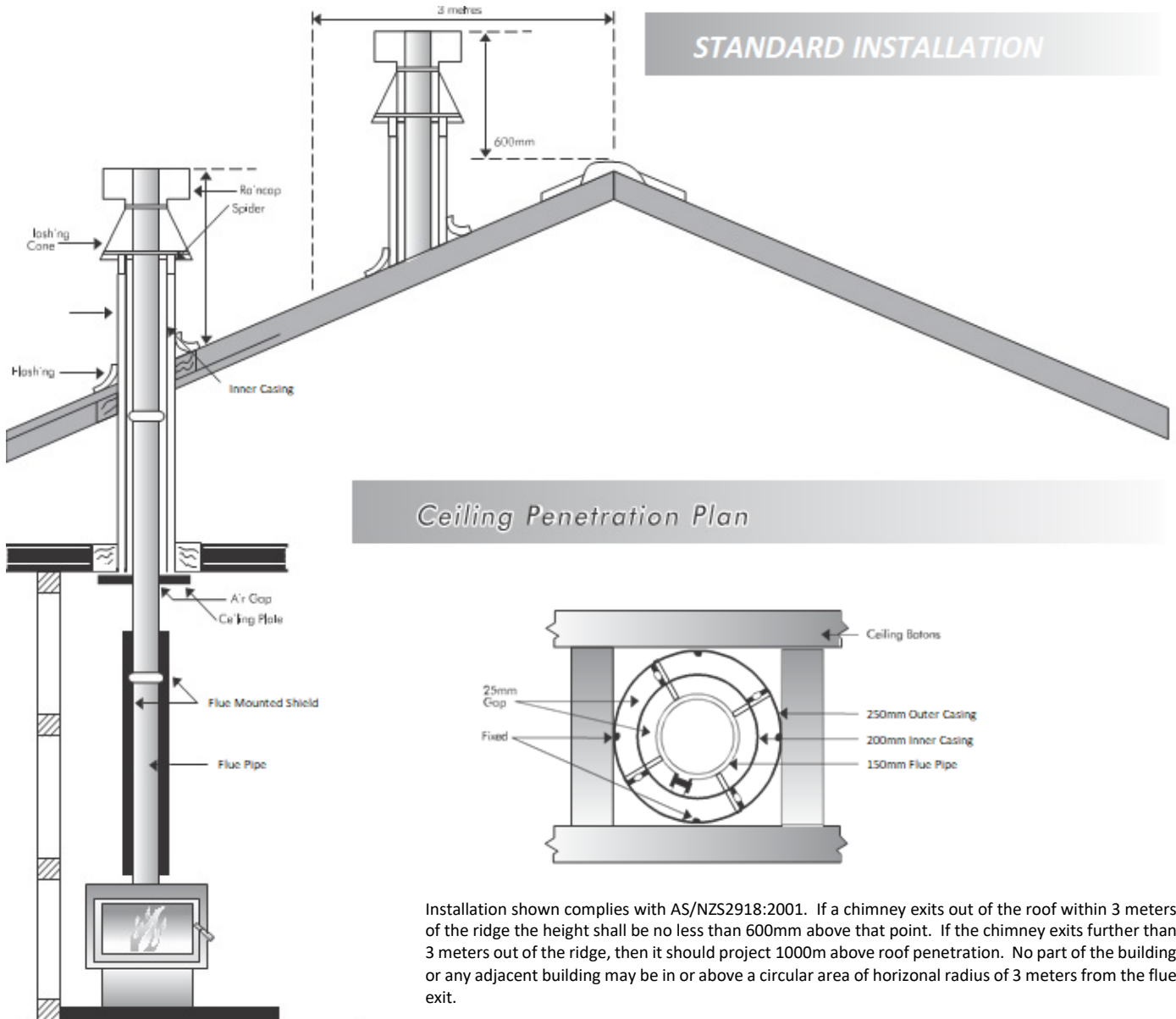


Sloping Ceiling Diagram

**CAUTION:** Mixing of appliance or flue system components from different sources or modifying the dimensional specifications of components may result in hazardous conditions. Where such action is considered the manufacturer should be consulted in the first instance. Please follow Stove Bright's user guide when paint touch up is required. Available on our website.

**WARNING:** The appliance and flue system shall be installed in accordance with AS/NZS2918:2001 and the appropriate requirements of the relevant building code or codes.

1. The flue pipe shall extend not less than 4.6m above the top of the floor protector.
2. The flue cowl must be at least 600mm above the highest point of the roof if within 3 meters of it, or 1 meter above the roof penetration if more than 3 meters from the ridge.
3. No part of the building, or any adjacent building may be in or above a circular area of a horizontal radius of 3 meters from the flue exit.
4. Stove Bright's user guide must be followed for the initial burn paint curing procedure and touch up procedure.



Installation shown complies with AS/NZS2918:2001. If a chimney exits out of the roof within 3 meters of the ridge the height shall be no less than 600mm above that point. If the chimney exits further than 3 meters out of the ridge, then it should project 1000mm above roof penetration. No part of the building or any adjacent building may be in or above a circular area of horizontal radius of 3 meters from the flue exit.

For optimum performance overall flue length should be between 4.2m and 4.8m and have no bends. Flue pipes should be 150mm in diameter. Due to factors such as roof pitch, predominant winds, nearby obstructions (i.e. trees, buildings), and fire placement, flue lengths, hats and cowls may vary

Thank you for your purchase of a proudly New Zealand manufactured flue kit. Please be a responsible member of New Zealand and only burn dry, untreated wood. This will help the environment and air we breathe. Burning of damp, treated woods, coloured paper and rubbish puts excessive smoke and chemical pollution into the air around our homes. Burning of these materials will rapidly decrease the life of your flue system and void the warranty. For more information on how to build a clean fire please visit [www.nzhha.co.nz](http://www.nzhha.co.nz)

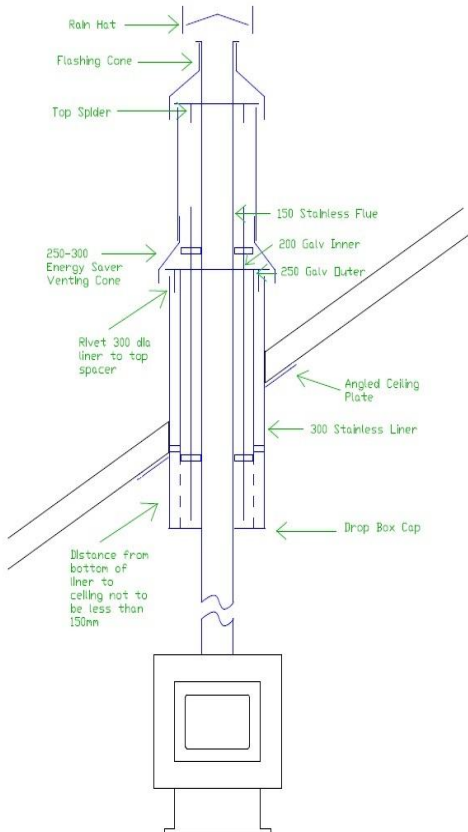
**Recommendations:**

- **Foley Industries recommends that this product is installed by a registered installer**
- **This product has sharp edges and gloves must be worn during installation**
- **Only natural untreated soft tree wood with less than 25% moisture content may be used in conjunction with Foley Flues, only plain paper and newspaper should be used to prevent premature deterioration of the flue and appliances**
- **Foley Industries recommends having your flues swept by a professional chimney sweep before the first use each season**

## Energy Saver Sloping Ceiling Flue System 4.2m

**TESTED TO APPENDIX F OF AS/NZS2918:2001**

**MEANING THAT IT CAN BE INSTALLED ON ANY APPLIANCE WHICH HAS BEEN TESTED TO THE OLD OR NEW STANDARD**



### Installation:

These instructions are to be read before installation and used in conjunction with the heating appliance manufacturer's installation instructions.

1. Position heater on floor protector in accordance with the correct clearances.
2. Mark the penetration centre in the ceiling and roof using a plumb line.
3. Cut a rectangular hole in the ceiling to suit 300mm liner and trim with noggins to support outer casing.
4. Cut a 300mm rectangular hole in the roofing material and trim with noggins to support outer casing.
5. Fix 300 diameter stainless steel liner through ceiling and roof on 4 tangential contact points, with a minimum of 150mm from the lowest part of the ceiling to the bottom of the 300 diameter liner.
6. Fix appropriate flashing around outer casing to the roof to ensure a weather proof seal.
7. Fit the 300 diameter blanking cap inside the 300 diameter liner. Rivet in place.
8. Fit the 250 Galvanised outer liner with perforations into the 300 diameter stainless steel liner until it rests on the blanking cap.
9. Fit the 250-300 top spacer with tabs to the top of the 250 galvanised liner.
10. Put rivets through the 300 stainless steel liner into the tabs on the 250-300 top spacer to fasten the two together.
11. Fit the 250-300 Energy Saver venting cone into the 250 galvanised liner
12. Drop the 200 galvanised liner inside the 250 liner, crimped end up
13. Fit 150 stainless steel flue with crimped end down into position. Placing the ceiling plate into position on top of the fire first. Ensure all seams are in line. Fix each joint with three stainless steel rivets and seal. Flue must extend 200mm above outer liner for correct fitting of rain cap. Extra sections of flue and liners may be added to achieve the correct clearance above the roof.
14. Fit the 253 galvanised slip liner over the top of the energy saver venting cone, trimming the length of the liner may be required to achieve the correct height.
15. Fit top spacer to the top of the 150 diameter flue and tighten. Slide cone over the flue and fit the rain cap. Do not fasten rain cap to facilitate removal for cleaning.
16. Fix ceiling plate to the ceiling, maintaining a 12mm airgap with the ceiling, and an even gap around the liner

**CAUTION:** Mixing of appliance or flue system components from different sources or modifying the dimensional specifications of components may result in hazardous conditions. Where such action is considered the manufacturer should be consulted in the first instance.

**WARNING:** The appliance and flue system shall be installed in accordance with AS/NZS2918:2001 and the appropriate requirements of the relevant building code or codes.

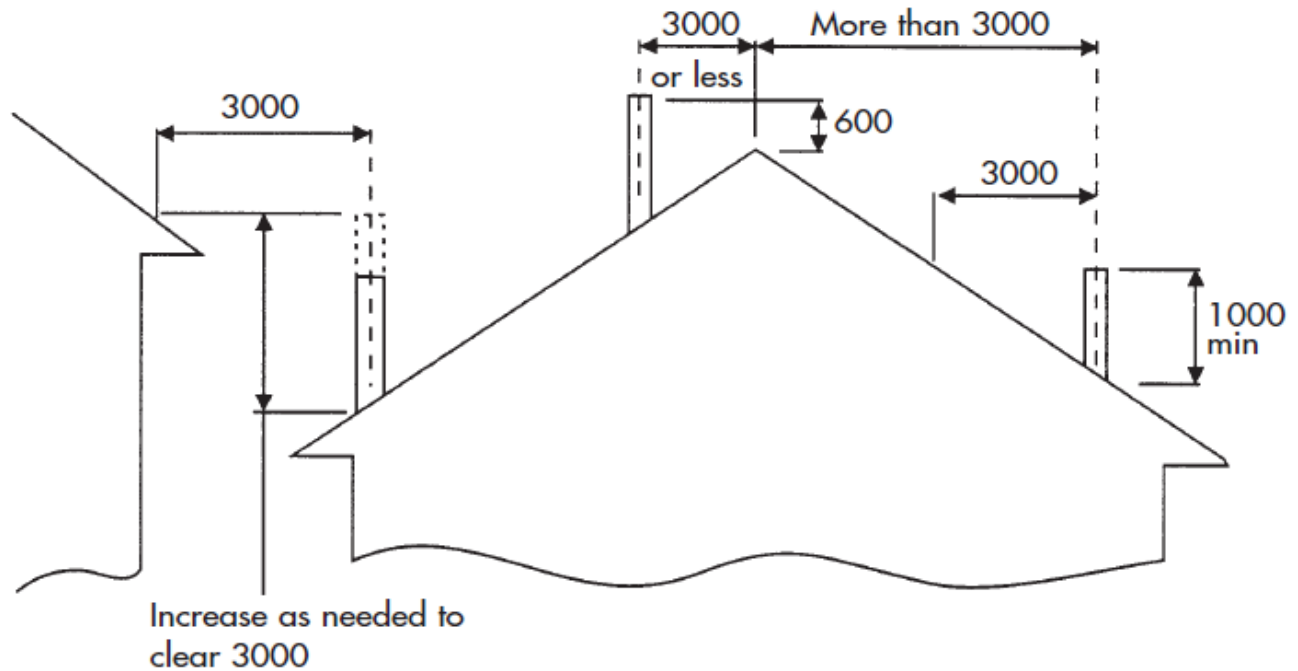
1. The flue pipe shall extend not less the 4.6m above the top of the floor protector.
2. The flue cowl must be at least 600mm above the highest point of the roof if within 3 metres of it, or 1 metre above the roof penetration if more than 3 metres from the ridge.  
No part of the building, or any adjacent building may be in or above a circular area of a horizontal radius of 3 metres

### Recommendations:

- Foley Industries recommends that this product is installed by a registered installer
- This product has sharp edges and gloves must be worn during installation
- Only natural untreated soft tree wood with less than 25% moisture content may be used in conjunction with Foley Flues, only plain paper and newspaper should be used to prevent premature deterioration of the flue and appliances
- Foley Industries recommends having your flues swept by a professional chimney sweep before the first use each season

## Reference Diagram

(AS PER AS/NZ2918:2001)



### Notes

1. The flue pipe shall extend not less than 4.6m above the top of the floor protector.
2. The flue cowl must be at least 600mm above the highest point of the roof if within 3 metres of it, or 1 meter above the roof penetration if more than 3 meters from the ridge.
3. No part of the building, or any adjacent building may be in or above a circular area of a horizontal radius of 3 meters from the flue exit.

### Recommendations

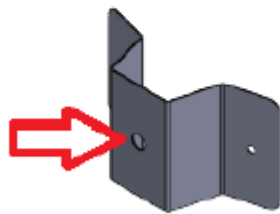
- Foley industries recommends that this product is installed by a registered installer.
- This product has sharp edges and gloves must be worn during installation.
- Only natural untreated soft tree wood with less than 25% moisture content may be used in conjunction with Foley Flues, only plain paper and newspaper should be used to prevent premature deterioration of the flue and appliances.
- Foley industries recommends having your flues swept by a professional chimney sweep before the first use each season.

## Single Flue Pipe Mounted Shields Assembly & Installation Instructions

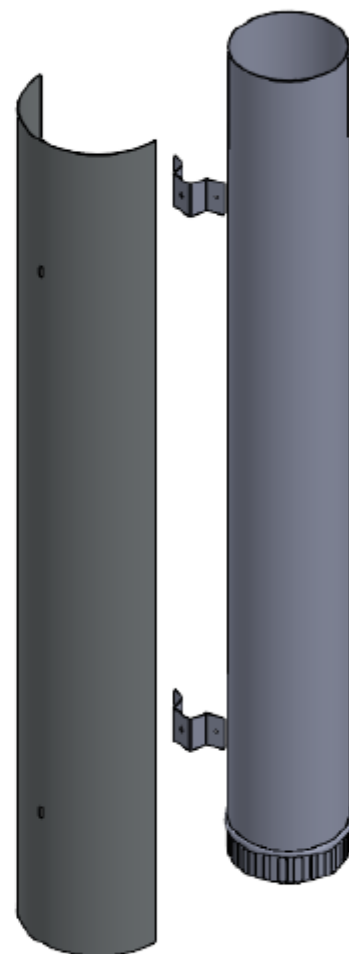
**PLEASE READ AND UNDERSTAND THESE INSTRUCTIONS BEFORE ASSEMBLING, INSTALLING AND USING THIS REFLECTOR. TO BE READ IN CONJUNCTION WITH HEATER INSTALLATION INSTRUCTIONS AND CLEARANCE REQUIREMENTS.**

**This guide is to assist with the installation of the brackets for the single flue shield.**

- 1) Measure 198.5mm up from where the bottom of the flue shield is required to sit. This will be the height of the m5 shield mounting nut on the lower bracket. From this location measure up 820mm to determine the location of the m5 mounting nut for the upper bracket.



- 2) Mark the bracket rivet hole location on the flue. Drill and affix the brackets to the flue using stainless steel rivets.
- 3) Fasten the single shield to the bracket using the screw provided. Adjust to the correct height and tighten.



**All installations need to be installed in accordance with AS/NZS2918:2001 and the appropriate requirements of the relevant building code(s).**



## Double Flue Shield Assembly Instructions

1. Securely fit the lower bracket on top of firebox  
*Two generic lower bracket options are supplied; they will fit most models of appliances.*
2. Fit the double flue shield on top of the lower bracket.
3. Fit the upper bracket to the top of the double flue shield.
4. Screw or rivet the upper bracket directly onto the flue to securely hold the double flue shield in place

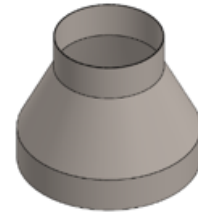
### Recommendations

- Foley industries recommends that this product is installed by a registered installer.
- This product has sharp edges and gloves must be worn during installation.
- The wood used in conjunction with Foley Flues must be dry and untreated, only plain paper and newspaper should be used to prevent premature deterioration of the flue and appliances.
- Foley industries recommends having your flues swept by a professional chimney sweep before the first use each season.

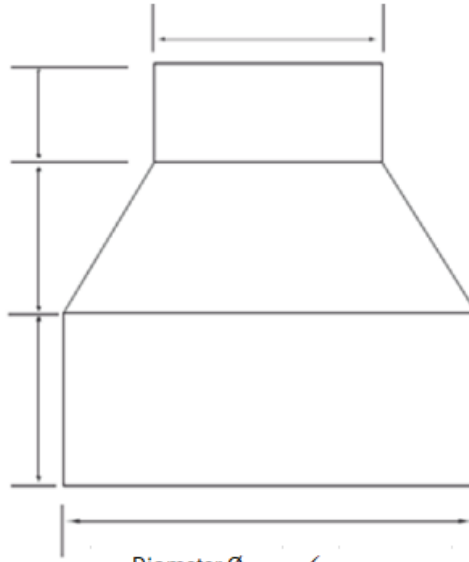
# ORDERING TEMPLATES

## Reducer/Converter Template

Made to Order



Diameter Ø		✓
	<input type="checkbox"/>	Fit Over
	<input type="checkbox"/>	Fit Inside



Specify End Condition

✓

<input type="checkbox"/>	Crimp
<input type="checkbox"/>	Crimp and Swage
<input type="checkbox"/>	Straight

Specify End Condition

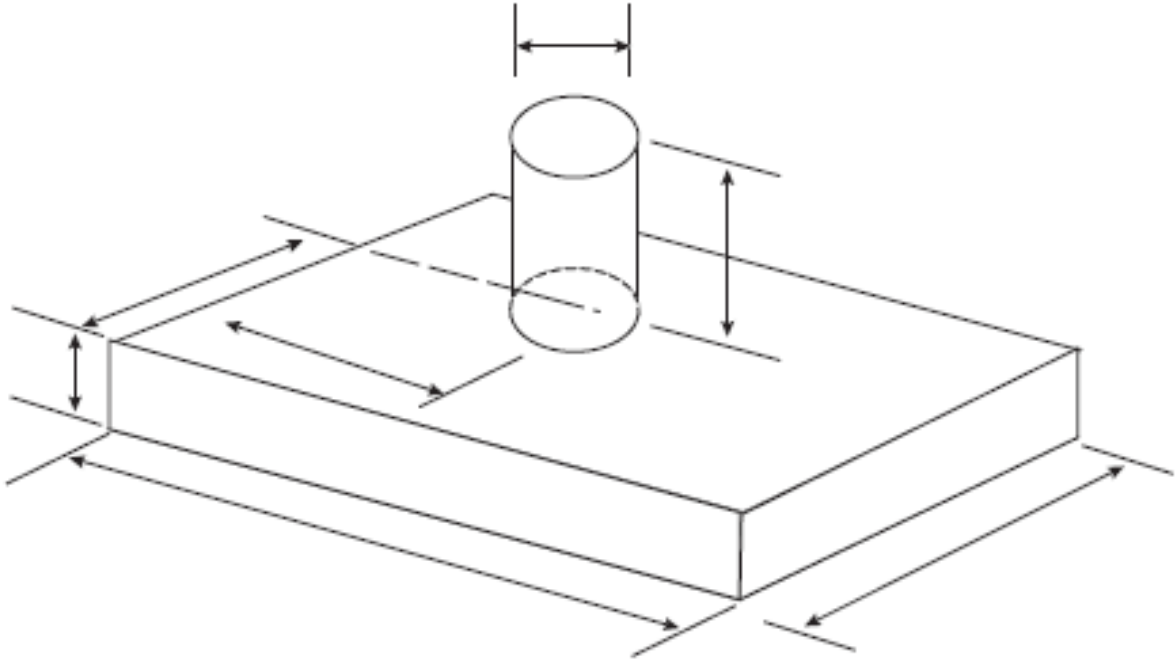
✓

<input type="checkbox"/>	Crimp
<input type="checkbox"/>	Crimp and Swage
<input type="checkbox"/>	Straight

Diameter Ø		✓
	<input type="checkbox"/>	Fit Over
	<input type="checkbox"/>	Fit Inside

<b>Company:</b>	
<b>Order Number:</b>	<b>Quantity:</b>
<b>Material:</b> please tick one	
<input type="checkbox"/> <b>Stainless Steel 304 2b</b>	<input type="checkbox"/> <b>Galvanised</b>
<b>Comments:</b>	

## Chimney Flashing Template

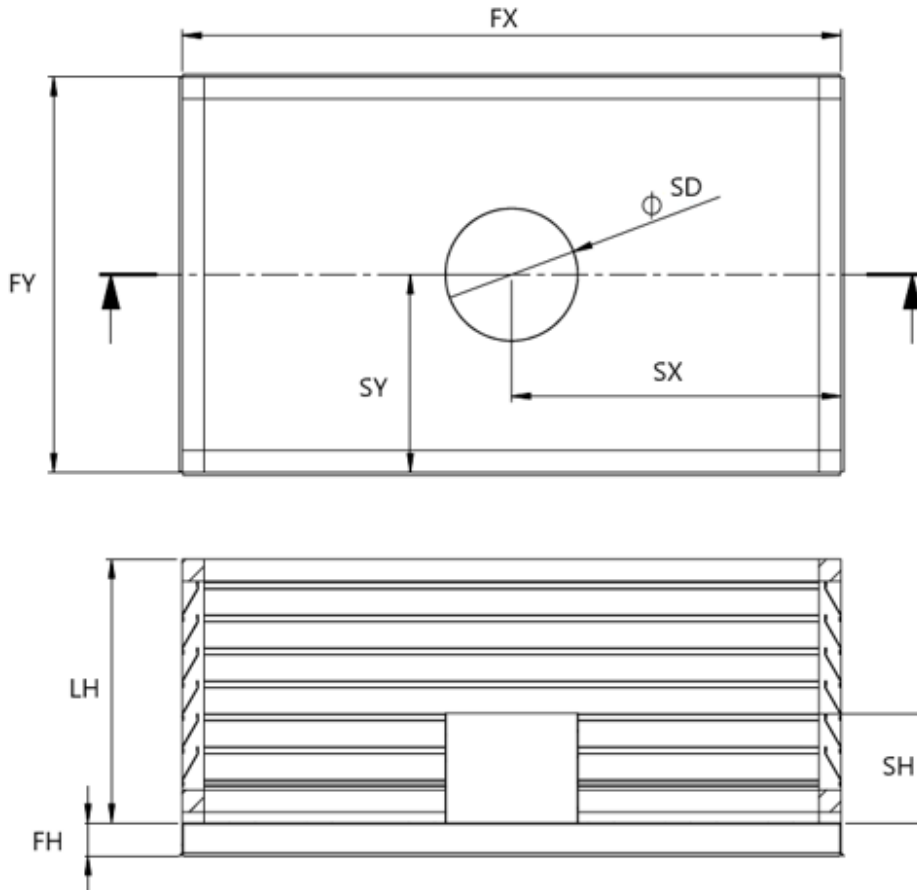
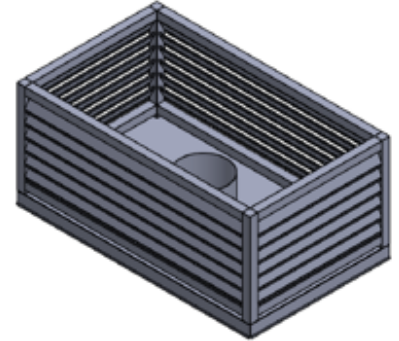


Photocopy this page, fill in dimensions and email it to us at [enquiries@foleyind.co.nz](mailto:enquiries@foleyind.co.nz)

Company:	
Order Number:	Quantity
Material:	
Thickness:	
Spot Weld/Fully Welded (circle one)	
Extra Comments:	

**Flashings have Cross-Brake fold by default unless otherwise requested  
 5deg fall quoted on request**

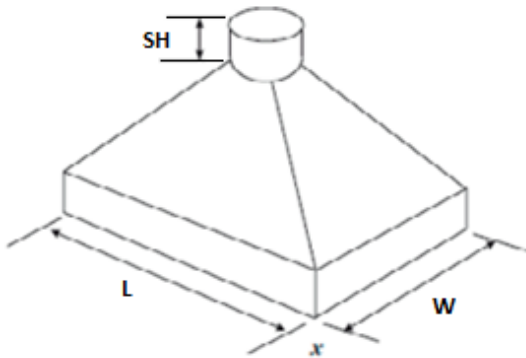
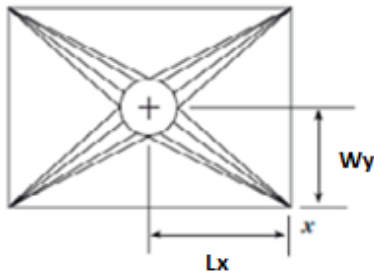
## Louvre & Flashing Template



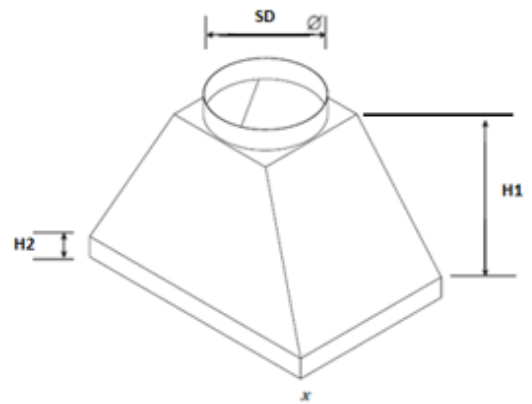
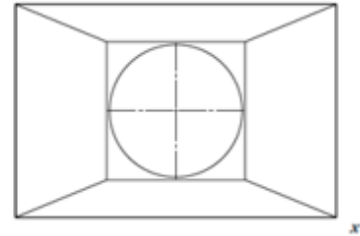
<b>Company:</b>			
<b>Order Number:</b>		<b>Quantity:</b>	
<b>Material:</b>			
<b>FLASHING LENGTH (FX)</b>		<b>SPIGOT DIAMETER (SD)</b>	
<b>FLASHING WIDTH (FY)</b>		<b>SPIGOT HEIGHT (SH)</b>	
<b>FLASHING HEIGHT (FH)</b>		<b>SPIGOT LOCATION L (SX)</b>	
<b>LOUVRE HEIGHT (LH)</b>		<b>SPIGOT LOCATION W (SY)</b>	
<b>POWDER COATING COLOUR:</b>			
<b>COMMENTS:</b>			

## Rectangle to Round Template

**Small**



**Large**

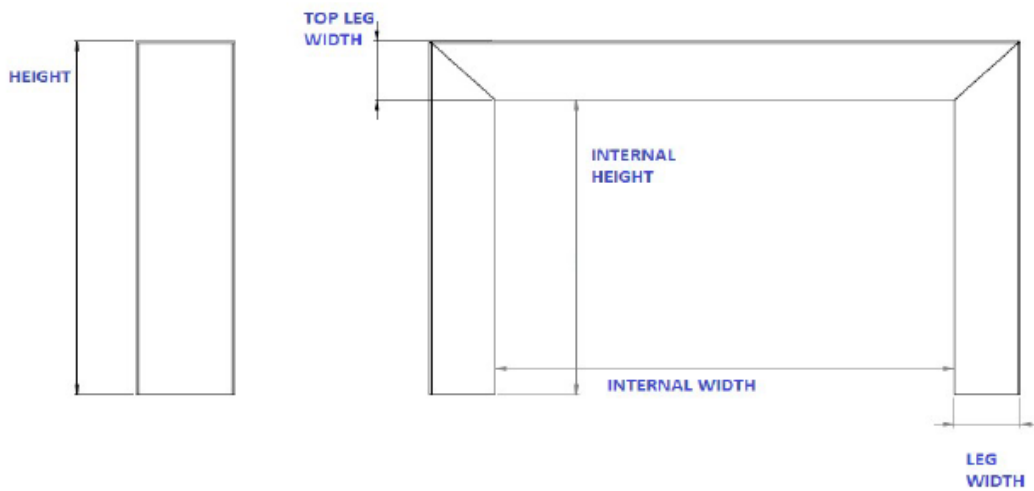


<b>L</b>		<b>W</b>		<b>SD</b>		<b>SH</b>	
<b>H1</b>		<b>H2</b>		<b>Lx</b>		<b>Wy</b>	

Photocopy this page, fill in dimensions and email it to us at [enquiries@foleyind.co.nz](mailto:enquiries@foleyind.co.nz)

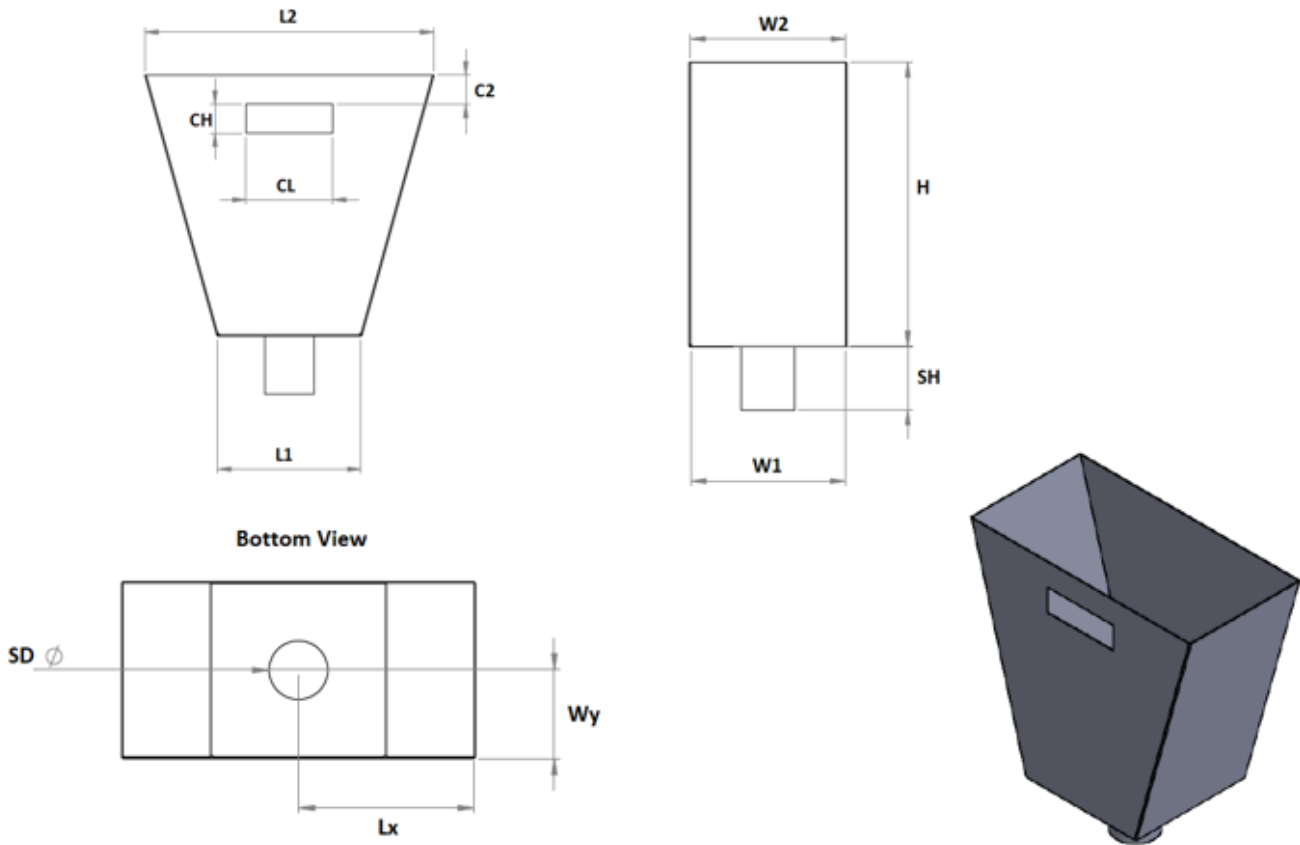
Company:	
Order Number:	Quantity
Material:	
Thickness:	
Extra Comments:	

## Insert Spacer Template



Company Name:	
Order Number:	Date:
Extra Comments:	

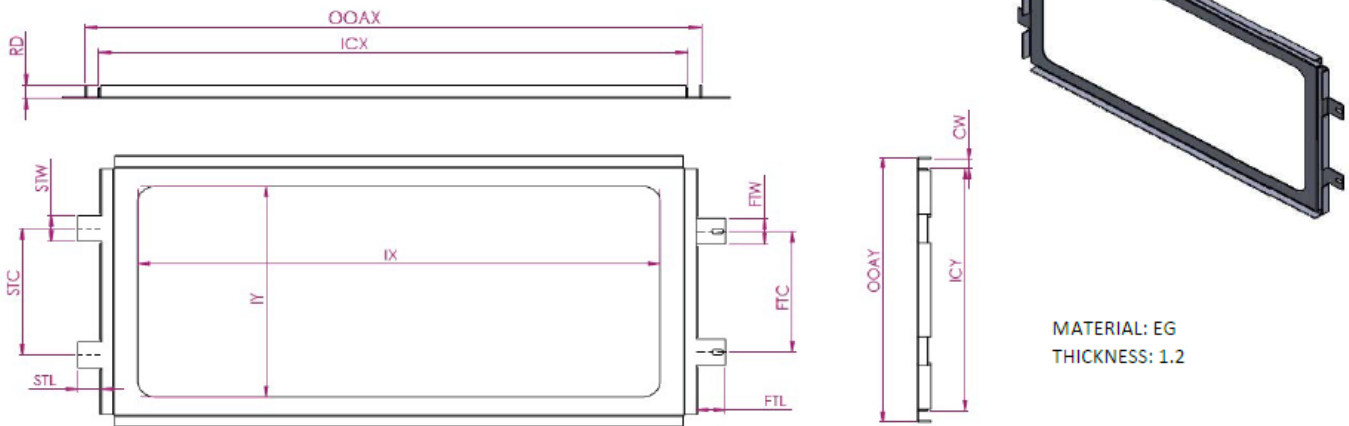
## Rainhead Template



L1		L2		SD		SH	
W1		W2		H		CH	
CL		C2		Lx		Wy	

<b>Company:</b>	
<b>Order Number:</b>	<b>Quantity:</b>
<b>Material and Construction:</b> please tick one of each	
<input type="checkbox"/> <b>Stainless Steel 304 2b</b>	<input type="checkbox"/> <b>Galvanised</b>
<input type="checkbox"/> <b>Fully Welded</b>	<input type="checkbox"/> <b>Overlap and Spotweld</b>
<b>Comments:</b>	

## Custom Glass Retainer Template



MATERIAL: EG  
 THICKNESS: 1.2

<b>IX</b>	Inside Width	
<b>IY</b>	Inside Height	
<b>OOAX</b>	Outside Overall Width	
<b>OOAY</b>	Outside Overall Height	
<b>ICX</b>	Inside Chanel Width	
<b>ICY</b>	Inside Chanel Height	
<b>CW</b>	Chanel Width	
<b>RD</b>	Retainer Depth	
<b>STW</b>	Slip Tab Width	
<b>STL</b>	Slip Tab Length	
<b>STC</b>	Slip Tab Centres	
<b>FTW</b>	Fastening Tab Width	
<b>FTL</b>	Fastening Tab Length	
<b>FTC</b>	Fastening Tab Centres	



# CONVERSION TABLES

## Guage to Imperial to Metric

Guage	Inch	Metric
10	0.102	2.586
11	0.090	2.304
12	0.080	2.052
13	0.072	1.826
14	0.064	1.626
15	0.057	1.448
16	0.050	1.290
17	0.045	1.148
18	0.040	1.024
19	0.036	0.912
20	0.032	0.813
21	0.029	0.724
22	0.025	0.643
23	0.023	0.574
24	0.020	0.511
25	0.018	0.455
26	0.016	0.404

## Pressure

Bar	Kpa	Psi
1	100	14.5

## Area of plane shapes

Circle =  $\frac{3.14 \times \text{diameter}^2}{4}$

Rectangle = side A x side B

Triangle =  $\frac{1}{2} \times \text{base} \times \text{height}$

## Circumference of a circle

= 3.14 x diameter



<b>IMPERIAL</b>			
<b>Length</b>	<b>Area</b>	<b>Capacity</b>	<b>Weight</b>
1 miles = 1760 yards 1 yard = 3 feet 1 foot = 12 inches	1 sq. mile = 644 acres 1 acre = 4840 sq. yard 1 sq. yard = 9 sq. feet 1 sq. foot = 144 sq. inches	1 gal. = 4 quarts 1 quart = 2 pints 1 pint = 34.677 inches <sup>3</sup> 1 US gal. = 0.8327 gal 1 yard <sup>3</sup> = 27 feet <sup>3</sup>	1 ton = 2240 lb. 1 ton = 1.12 US ton 1 stone = 14lb 1lb – 16oz

<b>METRIC</b>			
<b>Length</b>	<b>Area</b>	<b>Capacity</b>	<b>Weight</b>
1 km = 1000m 1m = 100cm 1cm = 10mm	1 km <sup>2</sup> = 100 hectares 1 hectare = 100 acres 1 acre = 100m <sup>2</sup>	1 m <sup>3</sup> = 1000 litres 1 litre = 1000 cc 1 ml = 1 cc	1 tonne = 1000kg 1 kg = 1000g 1 g = 1000mg

<b>IMPERIAL TO METRIC</b>			
<b>Length</b>	<b>Area</b>	<b>Capacity</b>	<b>Weight</b>
1 mile = 1.609 km 1 yard = 0.9144m 1 foot = 0.3048m 1 inch = 25.4mm	1 sq. mile = 2.59km <sup>2</sup> 1 acre = 0.4047 hectares 1 acre = 4046.86m <sup>2</sup> 1 sq. yard = 0.8361m <sup>2</sup> 1 sq. foot = 0.0929 m <sup>2</sup> 1 sq. inch = 645.16mm <sup>2</sup>	1 gallon = 4.561 litres 1 US gallon = 3.785 litres 1 pint = 0.5683 litres 1 cu. Inch = 16.3871 cm <sup>3</sup>	1 ton = 1.016 tonnes 1lb = 0.4536kg 1oz = 28.3495g 1 US ton = 0.9072 tonnes

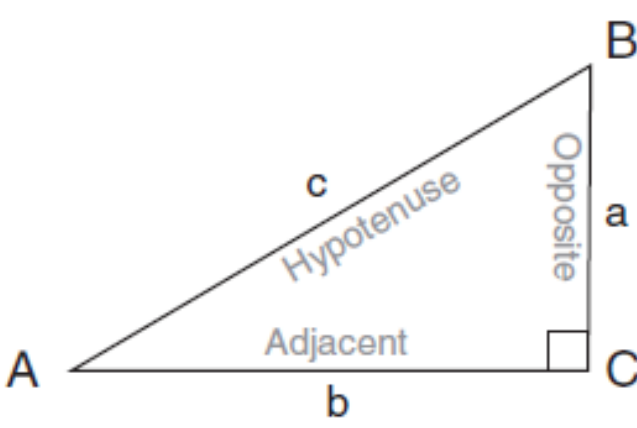
<b>TEMPERATURE</b>			
<b>From</b>	<b>To Fahrenheit</b>	<b>To Celsius</b>	<b>To Kelvin</b>
<b>Fahrenheit (F)</b>	F	$(F-32) \times 5/9$	$(F-32) \times 5/9 + 273.15$
<b>Celsius (C or °)</b>	$(C \times 9/5) + 32$	C	C + 273.15
<b>Kelvin (K)</b>	$(K - 273.25) \times 9/5 + 32$	K-273.15	K



## Ceiling Plate Angle & Actual Hole Length

Flue Diameter	Hole Diameter	Angle	True Hole Length
150	175	5	176
	175	10	178
	175	15	181
	175	20	186
	175	25	193
	175	30	202
	175	45	247
	175	60	350
200	225	5	226
	225	10	228
	225	15	233
	225	20	239
	225	25	248
	225	30	260
	225	45	318
	225	60	450
250	260	5	261
	260	10	264
	260	15	269
	260	20	277
	260	25	287
	260	30	300
	260	45	368
	260	60	520
300	310	5	311
	310	10	315
	310	15	321
	310	20	330
	310	25	342
	310	30	358
	310	45	438
	310	60	620

## Trigonometry

TRIGONOMETRY		
		
<i>To find a side using an angle and one side</i>		
$\sin A = \frac{\text{Opposite}}{\text{Hypotenuse}}$	$\cos A = \frac{\text{Adjacent}}{\text{Hypotenuse}}$	$\tan A = \frac{\text{Opposite}}{\text{Adjacent}}$
<i>To find an angle two sides</i>		
$\sin^{-1} \frac{\text{Opposite}}{\text{Hypotenuse}} = A^\circ$	$\cos^{-1} \frac{\text{Adjacent}}{\text{Hypotenuse}} = A^\circ$	$\tan^{-1} \frac{\text{Opposite}}{\text{Adjacent}} = A^\circ$
PYTHAGORAS		
$c^2 = a^2 + b^2$		