

Insulated Room Sealed Flue Kit

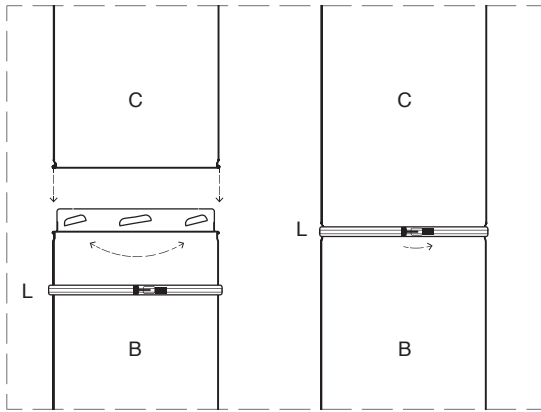
Standard Ceiling 4m Flue Kit

Painted Stainless Steel with Painted Heat Shield

Standard Flue Kit

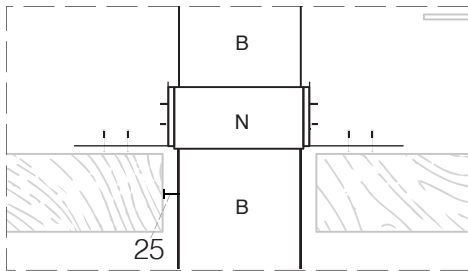
	Item	QTY
A	1000mm Single skin flue Painted black	2
B	1000mm starter length, end painted for drop box	1
C	1000mm Room Sealed Flue (with Locking Band)	1
D	1000mm Heat Shield Black	1
E	Ceiling Ring	1
F	Wind Cowl Stainless Steel	1
G	Room Sealed Flue Adapter	1

Flue Assembly



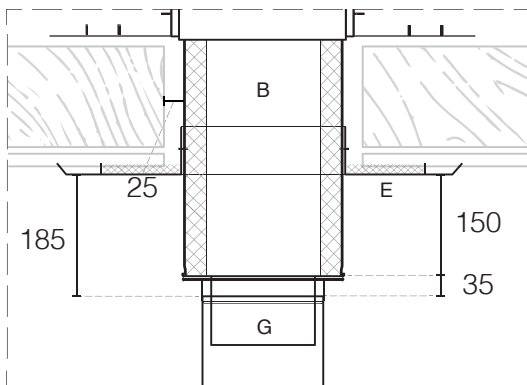
NOTE:
To assemble flue, first lock into place, second secure locking band around joint

Optional Support Brace

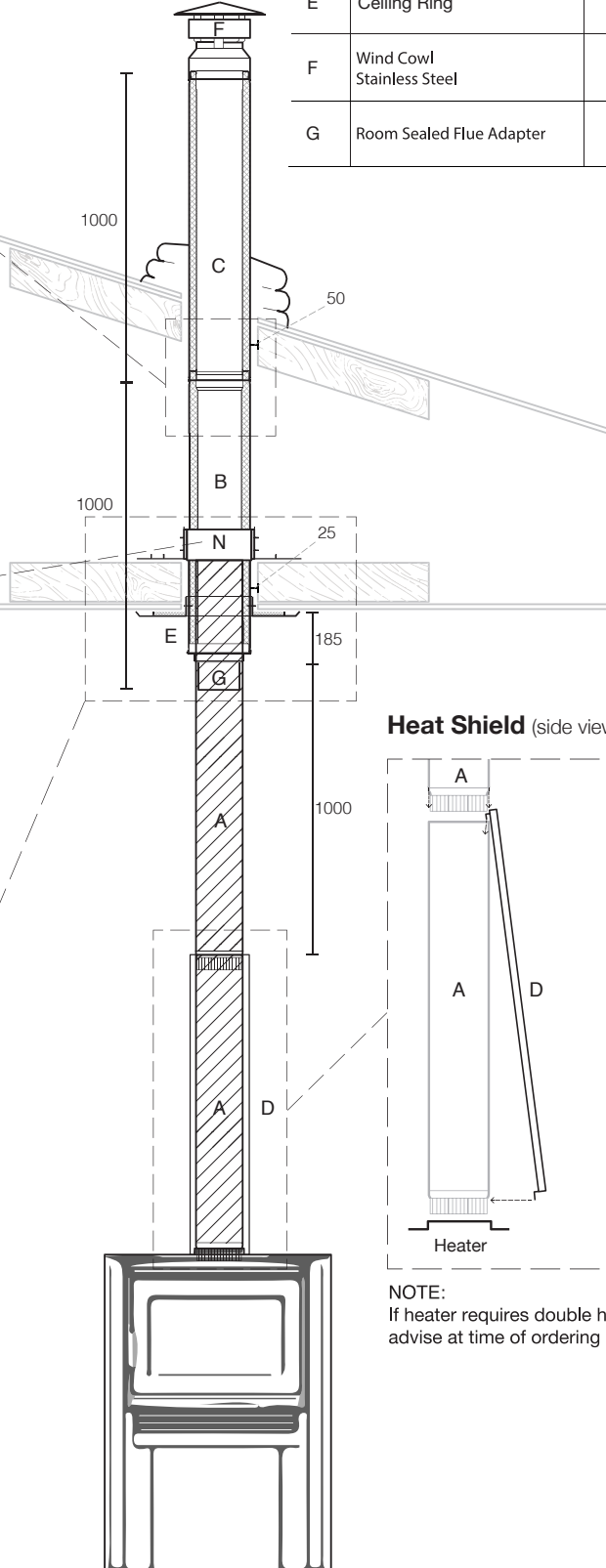


NOTE:
The optional support brace (N) has the ability to adjust to any angle of adjacent roof beams
There is a 25mm clearance between the flue and any timber at all times

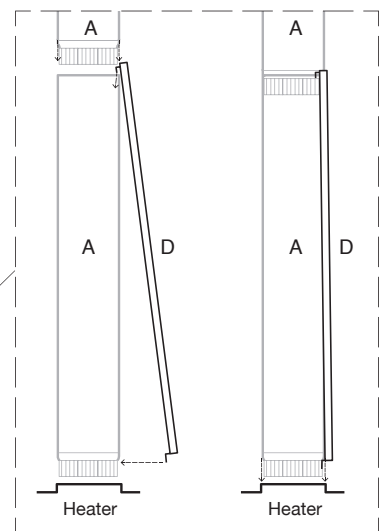
Starter Length



NOTE:
single skin flue (A) must terminate 185mm from the ceiling. The starter length (B) dropping 150mm into the room, with the tail dropping into the A flue
There is a 25mm clearance between the flue and any timber at all times



Heat Shield (side view)



NOTE:
If heater requires double heat shield, please advise at time of ordering

Paint Finish: Stove Bright Metallic Black