



INSERT FLUE SYSTEM INSTALLATION INSTRUCTIONS

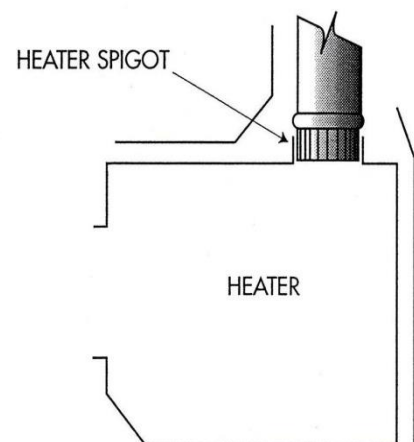
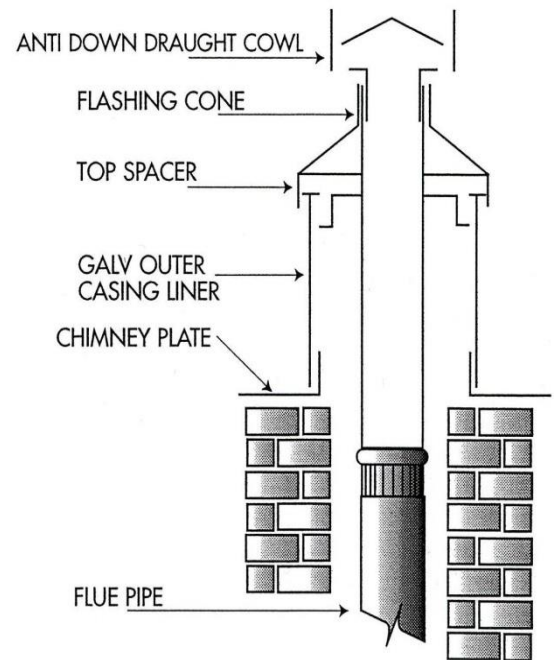
TESTED TO AS/NZS2918:2001

These instructions are to be read in conjunction with the manufactures instructions.

1. Position heater in fireplace. Extend plumb line from top of chimney, ensuring heater spigot is in line with top of chimney. If not, flue pipe offsets will be required.
2. Assemble flue pipes ensuring all seams are in line and assembly is straight and tight with crimped ends pointing downwards. Suecure flue pipes with at least 3 stainless steel or monel rivets and seal.
3. Fasten chimney plate supplied onto the chimney top. The chimney plate must be weather sealed with silicone or mortar. Chimney plate may not cover entire chimney.
4. Install chimney liner on top of the chimney plate
5. Ensure flue pipe is extended over the chimney liner by 180mm. Secure top spacer bracket to the flue pipe and ensure slots fit snugly inside the chimney liner.
6. Slide flashing cone over top of flue, until it rests firmly over top spacer. Secure with pop rivets or self-tapping screws.
7. Fit anti-down draught cowl. Do not secure as it must be removable for cleaning.

CAUTION: Mixing of appliance of flue system components from different sources or modifying the dimensional specification of components may result in hazardous conditions. Where such action is considered the manufacturer should be consulted in the first instance.

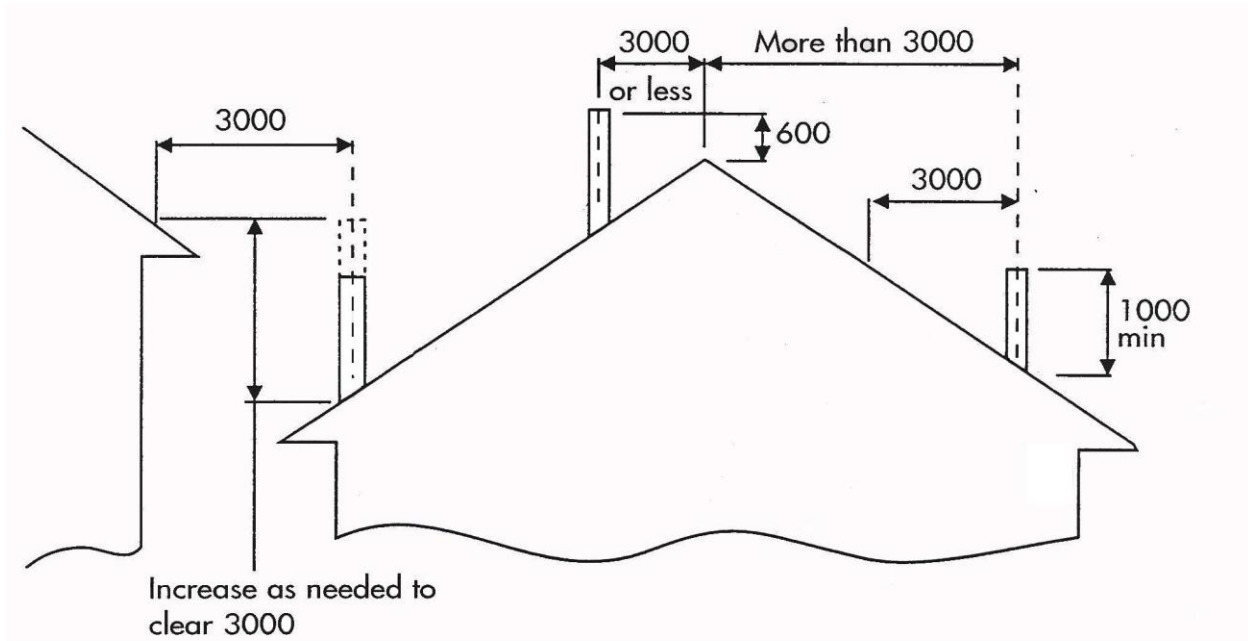
WARNING: The appliance and flue system shall be installed in accordance with AS/NZS2918:2001 and appropriate requirements of the relevant building code or codes.



Drawing is for reference only and is not to scale

REFERENCE DIAGRAM

(As per AS/NZS2918:2001)



Notes

1. The flue pipe shall extend not less than 4.6m above the top of the floor protector.
2. The flue cowl must be at least 600mm above the highest point of the roof if within 3 metres of it, or 1 metre above the roof penetration if more than 3 metres from the ridge.
3. No part of the building, or any adjacent building may be in or above a circular area of a horizontal radius of 3 metres from the flue exit.

Recommendations:

- Foley Industries recommends that this product is installed by a registered installer
- This product has sharp edges and gloves must be worn during installation
- Only natural untreated soft tree wood with less than 25% moisture content may be used in conjunction with Foley Flues, only plain paper and newspaper should be used to prevent premature deterioration of the flue and appliances
- Foley Industries recommends having your flues swept by a professional chimney sweep before the first use each season.