



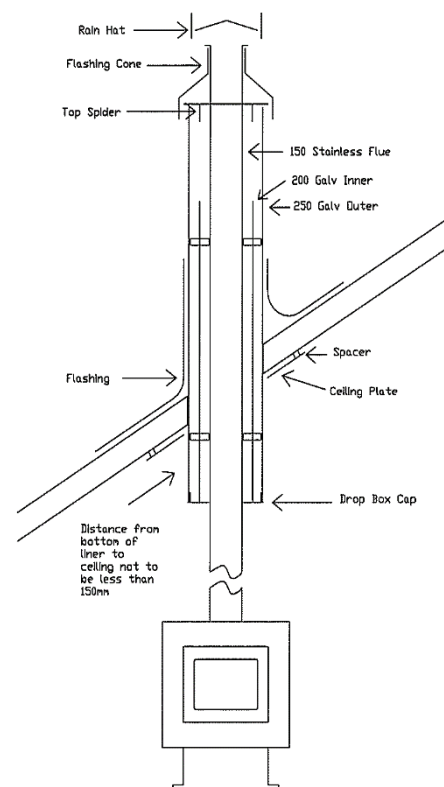
# FREESTANDING FLUE SYSTEM INSTALLATION INSTRUCTIONS FOR FLAT & SLOPING CEILINGS

TESTED TO APPENDIX F OF AS/NZS2918:2001 for Flat & Sloping Ceilings

MEANING THAT IT CAN BE INSTALLED ON ANY APPLIANCE WHICH HAS BEEN TESTED TO THE OLD OR NEW STANDARD

These instructions are to be read in conjunction with the manufacturer's instructions.

1. Position heater on floor protector ensuring all heater clearances are correct as per manufacturer's instructions.
2. Once the location is confirmed, the appliance and floor protector shall be mechanically fixed to the floor itself (refer to manufacturer's instructions).
3. Extend a plumb line from the center of the fire flue pipe spigot to the ceiling. Mark position on ceiling and roof.
4. Cut a 250mm square penetration for the passage of the flue pipe and casings through the ceiling. Trim hole and nog as required to fix the outer casing on all four sides.
5. Cut and frame (when required) an opening in the roof and position that outer casing through the roof until it is flush with the ceiling, for sloping ceiling penetrations drop the liners into the room. Not less than 150mm at the shortest side of the 250 liner. Fix with 4 screws or clouts to the framing of the square opening in the ceiling at the points where outer casing and timber meet.
6. Fix appropriate flashing around outer casing to the roof to ensure a weatherproof seal.
7. Assemble flue pipe sections ensuring all seams are in line, the assembly is straight and crimped, and ends are pointing downwards. Fix each joint with three stainless steel or monel rivets or stainless steel screws and seal.
8. Place ceiling plate and drop box cap, if applicable, with folded edges upwards over heater spigot.
9. Position the flue pipe into the heater spigot. The flue pipe can either be lowered from the top as a single unit or fed up from the room a length at a time, ensuring that all joints are fixed properly.
10. Slide the inner casing into place, between the outer casing and the flue pipe.
11. The flue pipe must extend 200mm above the outer casing. Note: Extra lengths of flue pipe, inner and outer casing may be required to achieve the minimum clearance from the roof.
12. Slide top spreader over flue pipe down into outer and inner casing and tighten.
13. Slide cowl over flue pipe until it rests on spreader. Secure with rivets or self-tapping screws.
14. Fit rainhat. Do not fasten as it must be removable for flue pipe cleaning.
15. Fix ceiling plate to ceiling maintaining an even gap all around flue pipe.  
Note: Ensure ceiling plate is spaced 12mm off from the ceiling with non-combustible spacers.
16. Secure the drop box cap into place.
17. Using Hi-therm paint (not supplied in the flue kit) carefully paint the exposed liner & drop box cap.



Sloping Ceiling Diagram

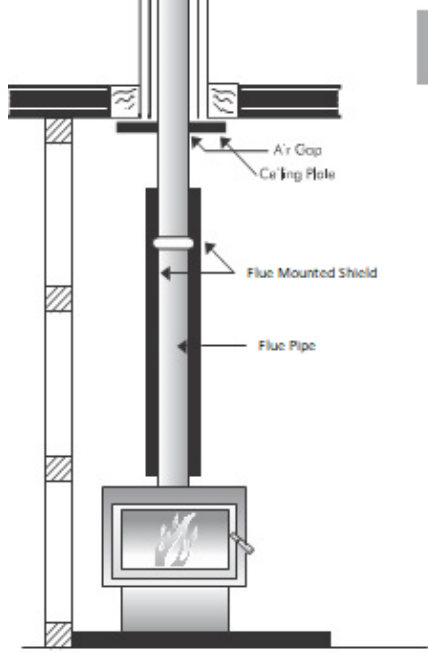
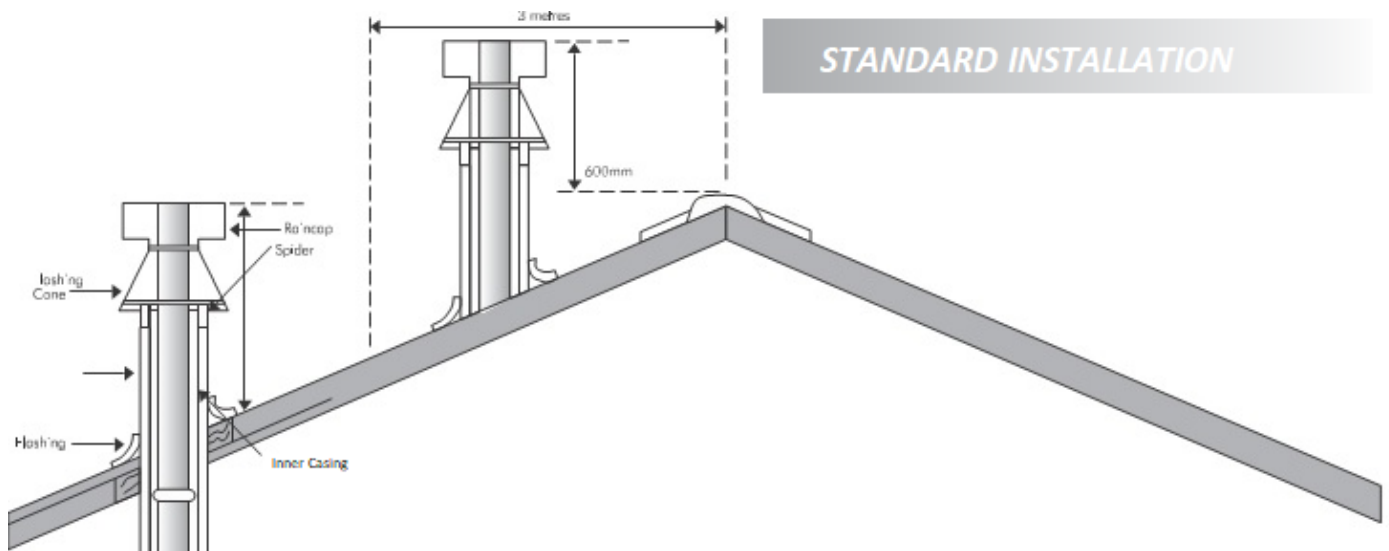
**CAUTION:** Mixing of appliance or flue system components from different sources or modifying the dimensional specifications of components may result in hazardous conditions. Where such action is considered the manufacturer should be consulted in the first instance.

**WARNING:** The appliance and flue system shall be installed in accordance with AS/NZS2918:2001 and the appropriate requirements of the relevant building code or codes.

1. The flue pipe shall extend not less than 4.6m above the top of the floor protector.
2. The flue cowl must be at least 600mm above the highest point of the roof if within 3 meters of it, or 1 meter above the roof penetration if more than 3 meters from the ridge.
3. No part of the building, or any adjacent building may be in or above a circular area of a horizontal radius of 3 meters from the flue exit.

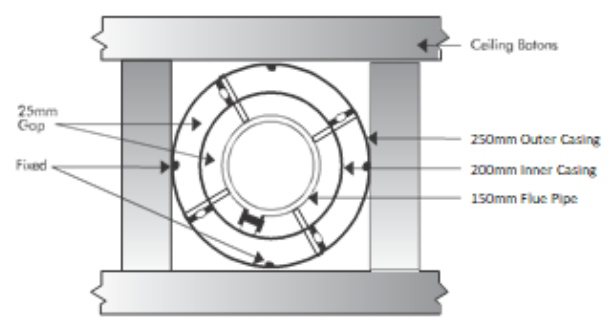
#### Recommendations:

- Foley Industries recommends that this product is installed by a registered installer
- This product has sharp edges and gloves must be worn during installation
- Only natural untreated soft tree wood with less than 25% moisture content may be used in conjunction with Foley Flues, only plain paper and newspaper should be used to prevent premature deterioration of the flue and appliances
- Foley Industries recommends having your flues swept by a professional chimney sweep before the first use each season



Flat Ceiling Diagram

*Ceiling Penetration Plan*



Installation shown complies with AS/NZS2918:2001. If a chimney exits out of the roof within 3 meters of the ridge the height shall be no less than 600mm above that point. If the chimney exits further than 3 meters out of the ridge, then it should project 1000m above roof penetration. No part of the building or any adjacent building may be in or above a circular area of horizontal radius of 3 meters from the flue exit.

For optimum performance overall flue length should be between 4.2m and 4.8m and have no bends. Flue pipes should be 150mm in diameter. Due to factors such as roof pitch, predominant winds, nearby obstructions (i.e. trees, buildings), and fire placement, flue lengths, hats and cowls may vary

Thank you for your purchase of a proudly New Zealand manufactured flue kit.

Please be a responsible member of New Zealand and only burn dry, untreated wood. This will help the environment and air we breathe.

Burning of damp, treated woods, coloured paper and rubbish puts excessive smoke and chemical pollution into the air around our homes. Burning of these materials will rapidly decrease the life of your flue system and void the warranty.

For more information on how to build a clean fire please visit [www.nzhha.co.nz](http://www.nzhha.co.nz)