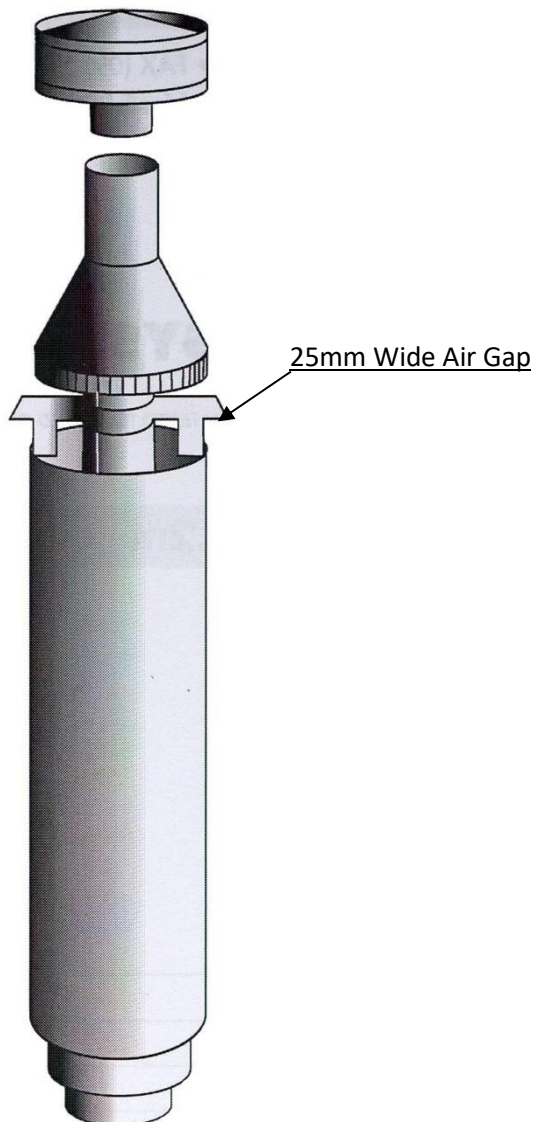




ENERGY SAVER FLUE SYSTEM 4.2m

TESTED TO APPENDIX F OF AS/NZS2918:2001

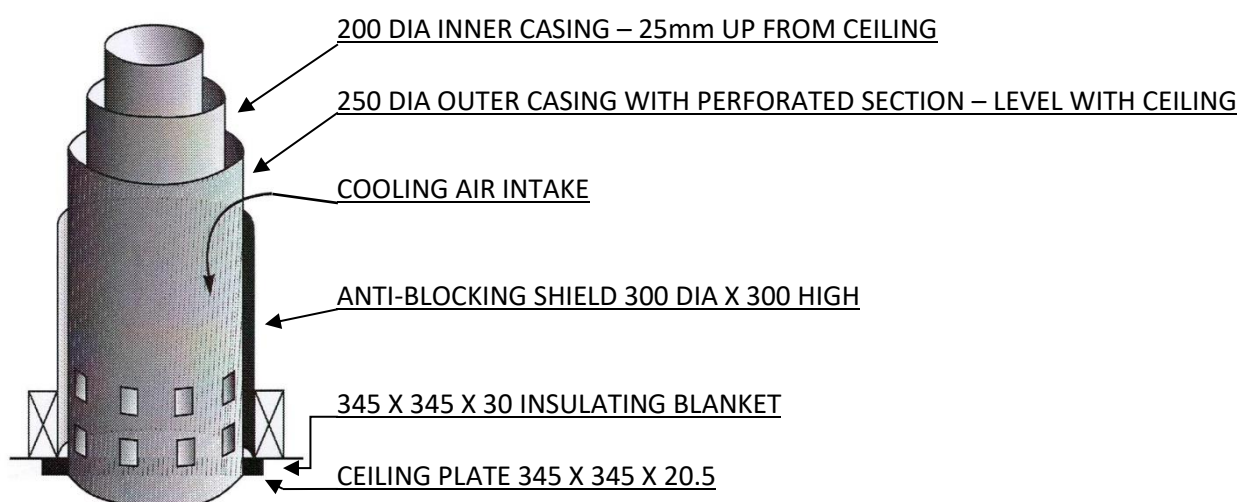
MEANING THAT IT CAN BE INSTALLED ON ANY APPLIANCE WHICH HAS BEEN TESTED TO THE OLD OR NEW STANDARD



COMPRISING:

- 1 Stainless Steel Flue Pipe 150 x 600mm
- 1 Stainless Steel Flue Pipe 150 x 1200mm
- 2 Stainless Steel Flue Pipe 150 x 1200mm Painted Matt Black
- 1 Galvanised Liner Casing 200 x 1200mm + Stainless Steel Bands
- 1 Galvanised Outer Casing 250 x 1200mm with Perforated Section
- 1 Anti-Blocking Shield 300 x 300mm
- 1 Stainless Steel Rain hat (Anti-Downdraught Cowl)
- 1 Stainless Steel Flashing Cone
- 1 Stainless Steel Spreader
- 1 Packet of Screws
- 1 Ceiling Plate with Insulation Blanket
- 1 Galvanised Slip Joint 1200mm

- Saves up to 40% of energy by preventing heated room air escaping through ventilation cavity.
- Acts as fire stop in the event of a house fire.
- Reduces wind and traffic noise.
- Easy and economical to fit to horizontal ceilings.
- Ceiling cavity required





SOLID FUEL ENERGY SAVER FLUE SYSTEM FOR FREESTANDING WITH HORIZONTAL CEILING

Installation:

These instructions are to be read in conjunction with the heating appliance manufacture's installation instructions.

1. Position heater on floor protector in accordance with the correct clearances.
2. Mark the penetration centre in the ceiling and roof using a plumb line.
3. Cut a 300mm square hole in the ceiling and trim with noggins to support outer casing.
4. Cut a 250mm rectangular hole in the roofing material and trim back all combustible material within 25mm from its opening.
5. Fix anti-blocking shield on 4 tangential contact points with the fixing tags down, and the shield bottom edge level with the ceiling.
6. Fit outer liner with perforations into the blocking shield hold the bottom edge level with the ceiling.
7. Fix appropriate flashing around liner to seal on the roof material.
8. Assemble the flue section ensuring that all seams are inline.
9. Fit inner liner, ensure that the spacer brackets rest on the swage in the outer liner. Bottom edge should be 25mm up from ceiling level.
10. Place ceiling plate on top of heater with edge up and lay Kao Wool Noise Blanket into position.
11. Fit flue with small end down into position. Flue must extend 200mm above outer liner for correct fitting of rain cap. Extra sections of flue and liners may be added to achieve the correct clearance above the roof.
12. Fit top spacer and tighten. Slide cone over the flue and fit the rain cap. Do not fasten rain cap to facilitate removal for cleaning.
13. Fix ceiling plate with screws provided. No spacers between ceiling tile and ceiling.

CAUTION: Mixing of appliance or flue system components from different sources or modifying the dimensional specifications of components may result in hazardous conditions. Where such action is considered the manufacturer should be consulted in the first instance.

WARNING: The appliance and flue system shall be installed in accordance with AS/NZS2918:2001 and the appropriate requirements of the relevant building code or codes.

1. The flue pipe shall extend not less than 4.6m above the top of the floor protector.
2. The flue cowl must be at least 600mm above the highest point of the roof if within 3 metres of it, or 1 metre above the roof penetration if more than 3 metres from the ridge.

No part of the building, or any adjacent building may be in or above a circular area of a horizontal radius of 3 metres

Recommendations:

- Foley Industries recommends that this product is installed by a registered installer
- This product has sharp edges and gloves must be worn during installation
- Only natural untreated soft tree wood with less than 25% moisture content may be used in conjunction with Foley Flues, only plain paper and newspaper should be used to prevent premature deterioration of the flue and appliances
- Foley Industries recommends having your flues swept by a professional chimney sweep before the first use each season.

